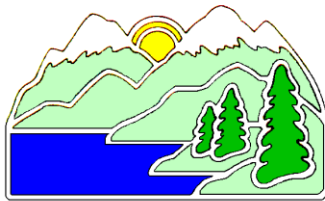


Tahoe City Public Utility District

Sewer Ordinance (Conformed Version)*

Rules, Regulations, Rates and Charges Governing the Use, Operation and Management of the District Sewer System Facilities



Conformed January 28, 2014

- * This is a conformed version combining the Ordinances listed below into a single document for the convenience of the public and staff.
- Ordinance 255, adopted April 17, 2006
 - Exhibit B - Fee Schedule, from Ordinance 263, adopted May 26, 2009
 - Ordinance 266, adopted September 22, 2009
 - Ordinance 277, adopted December 20, 2013
 - Ordinance 278, adopted December 20, 2013

General Manager

Cindy Gustafson

Board of Directors

Lou Reinkens

Dan Wilkins

Erik Henrikson

Ron Treabess

Judy Friedman

Table of Contents

		<u>Page</u>
Section 1	Administration	1
Section 2	General Policies	5
Section 3	Duties, Rights and Responsibilities	13
Section 4	Obtaining Sewer Service: Application and Permit Process	23
Section 5	Specifications for Sewer Connection: Materials and Methods of Construction	27
Section 6	Inspection, Testing and Maintenance Procedures	46
Section 7	Discharges into Sewer System	59
Section 8	Fats, Oil and Grease Control	65
Section 9	Sand, Hydrocarbon-based Oils and Grease Control	85
Section 10	Deposits, Fees and Sewer Service Charges	93
Appendix A	Definitions	107
Appendix B	Schedule of Tables	117
Appendix C	Schedule of Exhibits	119
Appendix D	Schedule of Figures	121

ADMINISTRATION

1.01 DISTRICT AUTHORITY AND GOVERNANCE

The District is formed and operates under the Public Utility District Act, Division 7 of the California Public Utility Code. A five (5) member Board of Directors governs the District locally. The Board of Directors is responsible for setting policy and general administrative procedures for the District.

The District may, by an order approved by a majority vote of the members of the Board of Directors, prescribe, revise, and collect fees, rates, rentals, or other charges for services and facilities furnished by the District in connection with its sanitary sewer system. Revenues derived by the District from said fees, rates, rentals or other charges for service or facilities may be used for any purpose except the acquisition or construction of additional local street sewers or laterals which are solely for private use.

1.02 REGULATION GOVERNING SEWER SERVICE

1.02.1 General

Ordinance 255 of the Tahoe City Public Utility District (hereinafter referred to as "District,") establishes the rules, regulations, rates and charges governing the use, operation and management of the District sewer system facilities.

1.02.2 Purpose

The purpose of this Ordinance is to clearly outline the requirements and guidelines applicable to sanitary sewer facility construction and maintenance within the District boundaries. This Ordinance also establishes charges for services and provides a method for the collection of charges.

1.02.3 Application

The provisions of this Ordinance shall apply to sewer construction, use, maintenance, discharge, deposit or disposal of all wastewater, both directly and indirectly into and through all of the District's sanitary sewer system, and to the issuance of permits and collection of fees.

1.02.4 Consistent with Other Codes

This Ordinance meets or exceeds the California Plumbing Code, the Uniform Plumbing Code, the Uniform Building Code, National Electrical Code and the National Fire Protection Code.

1.02.5 Effective Date

This Ordinance shall become effective 30 days from date of adoption, and the rates and schedules specified shall become applicable with the billing for the service year commencing January 1.

1.02.6 Prior Ordinances Revoked

To the extent that any of the existing and prior ordinances of the District applicable to its sewer systems, works and facilities are inconsistent herewith, all such prior sewer ordinances shall be deemed revoked upon this Ordinance becoming effective.

1.02.7 Interpretation

The General Manager of the District is charged with interpretation, regulation and enforcement of the provisions of this Ordinance.

1.02.8 Violations

In order to protect the health, safety and welfare of the community, any person found to be violating any provision of this Ordinance shall be served by the District with written notice stating the nature of the violation and providing a reasonable time limit for the satisfactory correction thereof. The offender shall, within the period of time stated in such notice, permanently cease all violations. Upon failure of a person to cease or prevent further violations, and at the direction of the Board of Directors, the General Manager shall exercise his or her authority to disconnect the premises from the system.

In the event such violation results in a public hazard or menace, the General Manager may enter upon the premises without notice and do such things and expend such sums as may be necessary to abate such hazard. The Owner shall be responsible for the costs associated with the work performed. Any person violating any of the provisions of this Ordinance shall become liable to the District for any expense, loss or damage occasioned the District by reason of such violation.

If a violation occurs on any premises and such violation continues beyond the time limit prescribed, such premises shall be subject to disconnection from the District sewer system upon seven (7) days written notice by first class mail addressed to the Owner. Disconnect and reconnect fees in accordance with Section 10.10 shall apply.

1.02.9 Requests for Variance

All requests for variance or deviation from these standards shall be submitted, in writing, by the Owner to the General Manager prior to installation of the facilities. It is incumbent upon the Owner to secure such written permission and not to assume that permission will be forthcoming for said variances or deviations.

1.02.10 Appeals

Any person who is dissatisfied with any determination made under this Ordinance may at any time within 30 days after such determination make an appeal. The first appeal will be made to the General Manager. Should the applicant be dissatisfied with the decision of the General Manager, a subsequent appeal may be made to the Board of Directors within 30 days of the General Manager's decision.

1.02.11 Appeal to General Manager

Any person who is dissatisfied with any determination made under this Ordinance may at any time within 30 days after such determination, appeal to the General Manager by giving written notice to the General Manager and to the Clerk of the Board of Directors. The appeal shall set forth the events and circumstances leading to the appeal, the nature of the ruling or interpretation from which relief is sought, the nature of the impact of the ruling on the appellant's property or business, together with any other reasons for the appeal.

The General Manager shall investigate the matter appealed and shall make a written decision, which shall be mailed to the appellant within 30 days of receipt of the appeal.

If the dispute involves an amount of charges, the appellant shall pay the amount disputed in full when the charges are due. Any charge paid under protest will be refunded to the appellant should the General Manager determine that the charges were wrongfully made.

1.02.12 Appeal to Board of Directors

Any person who is dissatisfied with any determination made by the General Manager may at any time within 30 days after such determination, appeal to the Board of Directors by giving written notice to the Manager and to the Clerk of the Board of Directors. The appeal shall set forth the events and circumstances leading to the appeal, the nature of the ruling or interpretation from which relief is sought, the nature of the impact of the ruling on the appellant's property or business, together with any other reasons for the appeal.

The Manager shall transmit to the Board of Directors a report upon the matter appealed. The Board of Directors shall cause written notice to be given at least ten (10) days prior to the time fixed for hearing to all persons affected by such application of the time and place fixed by the Board of Directors for hearing such appeal. The Board shall consider all testimony and make a decision, which shall be mailed to the appellant within 30 days of the date of the Board action. The Board of Directors may, at any time, upon its own motion, revise any determination made by the Manager.

If the dispute involves an amount of charges, the appellant shall pay the amount disputed in full when the charges are due. Any charge paid under protest will be refunded to the appellant should the Board of Directors determine that the charges were wrongfully made.

1.03 SEVERABILITY

If any section, paragraph, sentence, clause or phrase of this Ordinance or any part thereof is for any reason held to be invalid, such decision shall not affect the validity of the remaining portions of this Ordinance or any part thereof. The Board hereby declares that it would have passed each section, paragraph, sentence, clause or phrase thereof, irrespective of the fact that any one or more sections, paragraphs, sentences, clauses or phrases be declared invalid.

1.04 AUTHORITY

Nothing contained within this Ordinance shall be construed to limit the authority of the Board of Directors to amend, supplement or change this Ordinance or any rules and regulations applicable thereto at any time.

- Intentionally Left Blank -

GENERAL POLICIES

2.01 USE OF PUBLIC SEWER SYSTEM REQUIRED

The Owner of any building situated within the boundaries of the District and proximate to any street or sewer easement in which there is located a public sewer shall be required at his expense to connect said building with the proper public sewer in accordance with the provisions of this Ordinance.

Where sanitary sewers are available within 200 feet of a property, no person shall construct or maintain any privy, privy vault, septic tank, cesspool, seepage pit or other facility intended or used for the disposal of sewage unless permitted by the appropriate regulatory authority.

2.02 SEWER SERVICE ACCEPTED

2.02.1 Gravity Flow

The District shall accept gravity flow sewer service where feasible from all properties within the District boundaries that are capable of being developed.

2.02.2 Pressure Systems

In some instances, the sewer main is higher than the sewer outlet on the residence. In other cases gravity systems cannot be made available for such reasons as economics, physical or environmental constraints. In these instances, the Owner must design and install a privately owned and operated pressurized system in order to obtain sewer service.

2.03 REGIONAL TREATMENT PLANT

The Tahoe City Public Utility District collects sewage from within the District service territory and transports it to Tahoe Truckee Sanitation Agency (TTSA), the regional treatment plant in Truckee, California, via the Truckee River Interceptor, owned and operated by TTSA. Any connections to this interceptor shall be made through collector manholes and are subject to the approval of the District and TTSA.

2.04 DISTRICT RECORDS AND MAPS

The location of facilities identified on District records and maps are believed to be accurate. The District does not warrant their accuracy.

2.05 ANNEXATION

It is the intent of the District to provide sewer service to all properties within its boundaries. An applicant for sewer service whose property is not located in the District's service territory will be served by the District only under the following conditions:

- a. The property must be located within the District's approved Sphere of Influence.
- b. The property owner must agree to have his or her parcel annexed into the District's service territory and pay all costs associated with processing the application through the appropriate Local Agency Formation Commission (LAFCO).
- c. The District must evaluate and find that there is sufficient capacity within the existing sewer collection system.

- d. If the District finds that there is not sufficient capacity in the existing sewer collection system to provide service, the applicant must agree to construct or pay for construction of the necessary facilities as determined by the District to provide service.
- e. The District must determine that service can be made available to the parcel(s) without jeopardizing service levels to existing District customers.
- f. The Owner's engineer must prepare the application to be submitted to LAFCO.
- g. Annexation shall be made subject to the policies and guidelines of LAFCO as provided for by California Government Code Section 56000 et seq.
- h. The Owner shall enter into an agreement with the District committing Owner to pay the costs of the LAFCO application process and District expenses, including, but not limited to engineering, administrative and incidental costs as delineated in Section 10.
- i. Any application for annexation initiated under the terms of this policy shall be approved by the Board of Directors.
- j. Properties that are outside the District's territory will be served only after receiving approval from the appropriate LAFCO.

2.06 SERVICE THROUGH CONTRACT

Sewer service to properties outside District boundaries that are within the jurisdiction of other agencies or to areas within the District but where service was not provided through a sewer assessment district may be provided with service through contract only and shall be provided at the discretion of the District.

Service to industrial facilities or other premises having unusual characteristics may be deemed unclassified and may be provided by contract only, and shall be provided at the discretion of the District.

2.07 COMMON SERVICE AGREEMENT

Where two (2) or more structures share a common house service sewer lateral, and the properties are subdivided, the Owners shall enter into a Common Service Agreement (see Exhibit 2.01) that shall be recorded against the parcels. Drafting, executing and recording the contract is required prior to final sewer inspection or approval of the parcel split, and shall be the responsibility of the Owners involved. Necessary easements shall be provided by the Owner.

Where existing common house service sewer laterals exist, the District recommends that Owners of the involved parcels draft, execute and record a Common Service Agreement. Parties to the contract should agree to share equally the operation and testing costs associated with the shared private sewer service lateral. The contract shall be written such that the agreement is binding upon the heirs, successors and assigns of each of the parties involved.

The District is not responsible for maintenance or operation of common service lines. Applicant for service shall provide District with a copy of the recorded contract.

Where separate service lines share a common trench, Owners shall comply with Section 5.01.1.

2.08 SERVICE LATERALS PROVIDED

2.08.1 Provided by way of Assessment District

A lateral sewer from the District's main sewer to the curb or property line abutting the street or District right-of-way shall be provided to those parcels for which fees have been paid through assessment district proceedings. Lateral sewers that were paid for through assessment district proceedings but which in error were not installed by the contractor shall be installed at the District's expense.

2.08.2 Nonexistent Laterals, Wyes and/or Points of Service

Before a stub out, wye or point of service that is shown to exist on District maps is determined to be "nonexistent," the person attempting to locate the service lateral connection point shall contact the District for assistance. The District shall review records of closed circuit inspections or shall, at its expense, perform a closed circuit camera inspection of the main to ensure that there is, in fact, a stub. The District shall not be liable for any expense, equipment, excavation and/or labor incurred by any person in determining the existence or the "nonexistence" of any stub out, wye, point of service and/or other facility.

When the District has previously been provided with record maps, and the District has made a determination that no service lateral, wye or point of service exists as shown on the record maps, the District may waive any applicable sewer main tapping fee, and may install or cause to be installed a service lateral at the District's expense, provided there is a sewer main servicing the property with uncommitted capacity.

2.08.3 Not Paid Through Assessment District

Services and main extensions that were proposed but not installed and for which full payment was not paid through an assessment district shall be installed at the expense of the Owner. Owner shall enter into a Development Agreement with the District for design and extension of service.

2.08.4 Subdivided Parcels

Owners shall be responsible for all costs associated with the extension of sewer service to parcels that were subdivided subsequent to Assessment District proceedings or where parcels are outside of Assessment District boundaries. Owner shall enter into a Development Agreement with the District for the design and extension of service.

Developed parcels that are subsequently subdivided shall either provide a new service to the subdivided property or comply with Section 2.07, Common Service Agreement, at the discretion of the District.

2.09 DISCONTINUANCE OF SERVICE

Service may be discontinued for any of the following reasons:

- a. Delinquency - in the payment of any bill
- b. Improper Maintenance - Failure of the Owner to maintain his or her facilities in an open and free-flowing condition, free of physical defects
- c. Non-Compliance - Failure to comply with this Ordinance or any District rules and regulations for installation, inspection, or operation of sewer facilities

- d. Owner Request – Where a structure will be removed or remodeled and service will be discontinued for at least 90 days, or where a sewer lateral will be permanently removed for any reason. In either case, service will be discontinued by way of cutting and capping the house service sewer lateral in accordance with Section 5.05.3. User fees will be discontinued following permanent service removal in accordance with District policy.
- e. As deemed necessary - by the General Manager.

2.10 DISASTER POLICY

Should appropriate governing agencies determine that a property is uninhabitable following a disaster, the District may elect to temporarily suspend user fees. The Owner of the property involved must notify the District in writing and request a temporary suspension of fees.

The Owner shall also be responsible for capping building lateral(s) on the property in accordance with Section 5.05.3 as soon as this procedure can be safely completed. A District Inspector must be called to witness the capping. The District may require a pressure test of the building lateral(s) prior to re-connection (see Section 6.02.)

Sewer service charges will not be billed during the time that the house service sewer is capped. Sewer service charges will resume when service is resumed.

2.11 WATER CONSERVATION

2.11.1 Water Pressure Not to Exceed 60 psi

All installations shall comply with the requirements of ordinances, rules and regulations of the District pertaining to water conservation. Reference District Ordinance 106, which states, in part, that water pressure will not exceed 60 psi. In addition to restricting excess use of drinking water, conserving water reduces flow into the sewage treatment facility thereby minimizing unnecessary treatment.

2.11.2 Low Flow Fixtures

Low flow restrictions shall be installed on all fixtures, and meet the requirements of the current California Plumbing Code, or the following, whichever is lower:

Toilet:	1.6 gallons per flush
Shower head:	2.5 gallons per minute
Faucet:	2.2 gallons per minute

2.12 TIME LIMITS

Any time limit provided for in this Ordinance may be extended by mutual written consent of both the District and the Owner, Permittee or Applicant, or other person affected.

RECORDING REQUESTED BY:
AFTER RECORDING RETURN TO:

FOR RECORDER'S USE ONLY:

Tahoe City Public Utility District
P.O. Box 5249
Tahoe City, CA 96145
530-583-3796

COMMON SERVICE AGREEMENT

WHEREAS, _____ owns that real property located at _____, Assessor Parcel Number (APN) _____, _____, California; See Exhibit "A", Grant Deed attached.

WHEREAS, _____ owns that real property located at _____, Assessor Parcel Number (APN) _____, _____, California; See Exhibit "B", Grant Deed attached.

WHEREAS, _____ owns that real property located at _____, Assessor Parcel Number (APN) _____, _____, California; See Exhibit "C", Grant Deed attached.

WHEREAS, _____ owns that real property located at _____, Assessor Parcel Number (APN) _____, _____, California; See Exhibit "D", Grant Deed attached.

WHEREAS, _____ AND _____

WHEREAS, _____ AND _____

(the Property Owners) have connected to the Tahoe City Public Utility District ("DISTRICT") sewer system;

WHEREAS, the Property Owners have constructed on their private property a joint sewer pipeline to connect between their properties and the District sewer system;

NOW, THEREFORE, it is hereby agreed among the Property Owners and the District:

COMMON SERVICE AGREEMENT

APN(s):

1. The Property Owners have constructed a joint sewer pipeline to serve the properties referenced herein. This joint sewer pipeline is to serve only the properties specified above. The continued operation, maintenance, and testing of the joint sewer pipeline from the structure to the District's main, and cost thereof, shall be the exclusive responsibility of the Property Owners, and not of the District.

2. Each of the properties specified above shall be billed as a full and separate residential living unit.

3. If there is any failure, blockage or other problem relating to the joint sewer pipeline, the District may be required to close the joint sewer pipeline temporarily, as it might with any other District customer. The Property Owners recognize that this closure or other repairs may affect the properties specified above, regardless of which property owner may have caused the problem with the joint sewer pipeline.

4. It is the responsibility of the Property Owners to have the line repaired, if needed, by a California Licensed Contractor. If the District is required to make any repairs, inspect repairs or do other work on the joint sewer pipeline, the Property Owners agree that the District may split the costs equally, (regardless of which property owner necessitated the District's work), between the properties specified above and bill each of them equally for the District's cost. The Property Owners expressly agree that they will be liable for their share of the cost, as billed by the Contractor and the District, regardless of which Property Owner necessitated the work.

5. The Property owners recognize that it is their responsibility to reach an understanding by means of license or easement between each other for the placement and use of the joint sewer pipeline.

6. The Property Owners and the District agree that this Agreement and the sharing of costs and responsibility between the Property Owners, shall be binding upon their heirs, successors and assigns of each of the Property Owners.

7. The Property Owners expressly agree to indemnify and hold harmless the District, its agents and employees from and against all claims, damages, losses and expenses including attorneys' fees arising out of or resulting from Property Owners' sharing of the joint sewer pipeline.

COMMON SERVICE AGREEMENT

APN(s): _____

PROPERTY OWNER SIGNATURES:

(All Signatures Must Be Notarized – Use the Acknowledgment Form)

By: _____

Date: _____

Print Name: _____

By: _____

Date: _____

Print Name: _____

By: _____

Date: _____

Print Name: _____

By: _____

Date: _____

Print Name: _____

NOTE: THE DOCUMENT MAY BE SIGNED IN COUNTERPART.

- Intentionally Left Blank -

DUTIES, RIGHTS AND RESPONSIBILITIES

3.01 DUTIES OF DISTRICT PERSONNEL

3.01.1 Board of Directors

The Board of Directors shall make and enforce such rules and regulations as may be necessary for the safe, economical and efficient operation, management and protection of the District's sewer collection system. Further, the Board of Directors shall establish and regulate rates, fees and service charges.

3.01.2 General Manager

The General Manager shall administer, implement and enforce the provisions of this Ordinance. Any powers granted to or duties imposed on the General Manager may be delegated by the General Manager to persons employed or retained by the District.

3.01.3 Employees

District personnel shall enforce the provisions of this Ordinance. All District personnel shall identify themselves upon request when entering the work site or property for any inspection of work or for other purposes required or provided for by this Ordinance.

3.01.4 Contractors

All Contractors working on behalf of the District shall identify themselves upon request when entering the work site or property for any work or for other purposes required or provided for by this Ordinance.

3.02 RIGHTS AND RESPONSIBILITIES OF DISTRICT

3.02.1 Control of Sewer System

The main sewer system shall be under the exclusive control and management of the District. The District shall maintain all main sewers, trunk sewers and related appurtenances. Figure 3.01 illustrates the sewer facilities maintenance responsibilities of District and Owner.

3.02.2 Right of Entry

Authorized representatives of the District are permitted to make limited, reasonable inspections, at reasonable times, of any grounds, building or residence served to the extent necessary to ensure compliance with this Ordinance or amendments. The Owner shall be given the opportunity to accompany the District on all inspections.

If the purpose of the inspection is to verify the presence of multiple units or issues related to other billing factors and the District is not given access to enter the property within 30 days of the date requested, the account may be adjusted.

3.02.3 Service Interruption

The District will exercise reasonable diligence and care to provide continuous operation of its sewage collection facilities and to avoid, so far as practicable, curtailments or interruptions in such service. The District, its officers, agents or employees will not, however, be liable for interruption, shortage or curtailment or stoppage of said service, or for any loss or damage occasioned thereby.

3.02.4 Temporary Suspension of Service

When it is necessary or convenient to make repairs or improvements to its system or appurtenances, the District shall have the right to temporarily suspend sewer service or obstruct the flow of sewage from the lateral sewer. The District shall not be liable for any loss or damage occasioned thereby. Repairs or improvements will be made as rapidly as practicable and, so far as possible, at such times as will cause the least inconvenience to its customers and users.

3.02.5 Correction Notices

Whenever possible, the District shall serve the Owner with written notice if corrective action is needed on the facilities which are Owner's responsibility to maintain, and allow a reasonable time for the satisfactory correction thereof. If the Owner fails to respond within the time period stated in such notice, District shall cause said sewer facilities to be suspended by plugging the sewer line, or if District finds it necessary in the interest of public health and safety, District may perform work on said facilities and the reasonable costs and expenses incurred for work and material shall be paid by the Owner. Any charges shall be collectible by District as provided by this Ordinance. Administrative fees may be levied in accordance with Exhibit 10.01.

3.03 RIGHTS AND RESPONSIBILITIES OF OWNER

3.03.1 Compliance with Ordinance

Owner shall comply with the provisions contained within this ordinance.

3.03.1.1 Tenants' Compliance

The Owner shall be responsible for tenant's compliance with all provisions contained within this Ordinance.

3.03.2 Connection by Application and Permit Only

Connections to the District's sewer system shall be made in accordance with the provisions of District rules, regulations, ordinances and specifications. No person shall connect to, alter or discharge into the sewer system without making application to the District, securing a permit and paying applicable charges. No person other than authorized representatives of the District shall connect to any District sewer facilities without prior written approval and payment of all charges.

3.03.3 Accessibility

The Owner shall provide to the District, its employees and its authorized agents access at all reasonable times to enter Owner's premises for any purpose properly connected with the provision of sewer service, including inspection to determine that District Ordinances are being observed, in accordance with Section 3.02.2.

3.03.4 Obstructions

In accordance with District Easement Encroachment Policy, Exhibit 3.01, no person shall place on any sewer pipeline any obstruction, including, but not limited to wires, fences, trees or structures, which may impede or otherwise interfere with the District's ready access to any portion of the sanitary sewer system owned by the District without prior approval from the District. Upon the District's written request, such obstruction shall be immediately removed by the Owner at no cost to the District or, at the District's option, shall be removed by the District at the Owner's expense, should the need arise. If the Owner wishes to reinstall the obstruction, it shall do so at his or her own expense.

The reinstallation shall be subject to subsequent removals if access by the District is again required.

3.03.5 House Service Sewer Lateral

The Owner shall, at his or her own risk and expense, install, keep and maintain in good repair all house service sewer laterals and building service sewer laterals, including cleanouts, from the premises served to the point of discharge into District's main or trunk sewer. Figure 3.01 illustrates the sewer facilities maintenance responsibilities of the Owner.

The Owner shall operate and maintain the house service sewer lateral in an open and free-flowing condition, capable of passing tests as outlined in this Ordinance. The Owner shall be responsible for blockages in the lateral sewer, unless the blockage is caused by a physical defect in the District's area of responsibility, Figure 3.01.

3.03.6 Loss and Damage

The Owner shall be responsible for any loss or damage caused by improper or defective installations, facilities or equipment, (whether inspected or approved by District), or inadequate maintenance of the facilities.

3.03.7 Owner's Responsibility Related to Excavation

Prior to and whenever any underground construction is to be performed, the Owner shall contact the District and review the appropriate record drawings on file at the District Office. The Owner shall be responsible for the following:

3.03.7.1 Owner to Determine Location

The Owner shall make such calculations, findings and conclusions as may be necessary to determine the approximate location of the District sanitary sewer facilities in relationship to the proposed excavation. In the event of conflicting positions, the District sanitary sewer facilities shall have prior rights to its location.

3.03.7.2 Expose Sewer Facilities and Determine Adequate Fall

The Owner shall be responsible for the proposed excavation and shall explore for and expose the District sanitary sewer facilities using reasonable care. Once the District sanitary sewer facilities are exposed, the Owner responsible for the excavation shall verify the clearances and compatibility of the proposed works. It is the Owner's responsibility to determine adequate fall before installation of the house sewer service lateral and/or before establishing the finished floor elevation of the structure.

3.03.7.3 District Assistance with Location

Whenever the stub-out, wye or other point of service is not located as shown on the District's record maps the District shall assist the Owner to the extent reasonably possible after reasonable effort has been made by the Owner to locate the point of service by use of surface and underground pipeline detectors. The District will locate sewer stubs for new service through closed circuit television.

The District shall not be responsible for the cost of equipment, excavation, labor and/or material expenses incurred by the Owner in determining the location of stub-outs, service laterals, wyes or other District sanitary sewer facilities, whether existing or non-existing.

3.03.7.4 Damage to District's Facilities

The Owner shall be solely responsible for any and all damage to the District's sanitary sewer facilities during excavation and backfill, regardless of the cause. This includes consequential damage due to improper pipe protection and backfill procedures.

3.03.7.5 Underground Service Alert

The Owner shall call Underground Service Alert 48 hours prior to any start of excavation.

3.03.7.6 Written Notices

The Owner shall respond to written notices served by the District, that require corrective action, within the time period stated in the notice. Owner shall be responsible for reasonable costs and expenses incurred by the District for labor and material, should it be necessary for the District to plug the sewer line or to perform work on Owner's facilities.

3.04 PAYMENT OF CHARGES AND FEES

3.04.1 Connection Fees

Payment of sewer connection fees in accordance with Exhibit 10.01 is the responsibility of the Owner. The Owner shall notify the District if there is any change in sewer use in accordance with Sections 10.05.1.1 and 10.05.2.1.

3.04.2 Service Charges

In accordance with Section 10.06.1, all sewer service charges shall be billed to the Owner of the property, whether or not the Owner is also the occupant. For the purposes of the Ordinance, determination of lot or parcel Ownership thereof shall be based upon the latest available records of the Assessor's offices of Placer and El Dorado Counties. Sewer service charges shall be in accordance with Exhibit 10.01.

Easement Encroachment Policy

Tahoe City Public Utility District

BACKGROUND

The District owns and operates water and sewer facilities on the North and West shores of Lake Tahoe extending from Dollar Hill south to D.L. Bliss State Park. These facilities are located both within public rights of way and across private property. When located on private property, the District generally possesses a utility easement permitting the District to install, operate, and maintain the utility facilities.

An Easement is a right to use a defined area of the real property of another for a specified purpose. The owner of the real property generally retains all the benefits of ownership of the land, which are not inconsistent with and do not unreasonably interfere with the rights of the easement holder.

The utility easements of the District vary as to form. In general, they are for the installation, operation, and maintenance of water or sewer facilities, are in-gross to the benefit of the District, and are non-exclusive. The owner of the real property is prohibited from doing or installing anything that will hinder or prohibit the District's enjoyment of the easement. Most contain a clause specifically prohibiting the installation of any structure without the written approval of the District.

As landowners continue to improve their properties, the District's facilities are increasingly found to conflict with their plans. Furthermore, property owners have, over the years, constructed various improvements on their property, which are in conflict the rights of the District.

PURPOSE

The purpose of this document is to create a fair and consistent policy establishing permitted uses within District easements and establishing procedures required to permit allowed encroachments. Furthermore, this policy will establish procedures for addressing existing un-permitted encroachments.

POLICY

General

It is the District's primary responsibility to provide safe and efficient water and sewer services to its ratepayers and to protect their interests. The District considers any Encroachment or improvement within a District easement that prohibits direct surface access to the underground facilities to be contrary to its easement rights.

However, the District recognizes the detrimental impact of having a utility and associated easement located across private property. Therefore, the District has and will make every effort to cooperate with Landowner's desires to improve their property.

Definitions

Encroachment. An Encroachment is an activity or condition, which results in interference with the rights of the District under its easements. With respect to this policy there are four defined classes of encroachments:

Class 1 – Encroachments that only slightly interfere with the District’s access to the easement area and are easily removed. The following are examples of Class 1 Encroachments:

- flower beds
- lawns and groundcovers
- small shrubs
- irrigation systems
- gravel surfacing
- paving stone surfacing
- asphalt concrete driveways and walkways

Class 2 – Encroachments that significantly interfere with the District’s access to the easement area. However, due to their nature they are readily removable or only impact a limited area of the easement. The following are examples of Class 2 Encroachments:

- concrete driveways and walkways
- larger trees whose roots do not have propensity to invade sewer facilities
- minor landscaping fences
- minor landscaping features such as rockery or timber walls

Class 3 – Encroachments that are a major interference to the District’s access to the easement area and are very difficult to remove or impact a large area of the easement. The following are examples of Class 3 Encroachments:

- major landscaping elements such as fountains and waterfalls
- major fences
- retaining walls
- decks and patios
- non-occupied structures such as small sheds and breezeways

Class 4 – Structures or portions of structures such as houses, garages, workshops, porches, and overhangs that prohibit access to the easement area, have the potential to damage facility, are impossible or unreasonable to remove, or create a liability for the District.

Existing Encroachment: An existing Encroachment is an Encroachment, which exists prior to the effective date of this policy, whether approved, or not.

Proposed Encroachment: A proposed Encroachment is a new Encroachment proposed by a Landowner or is a **remodel or reconstruction** of an *Existing Encroachment*.

Encroachment Policy

Class 1 Encroachments:

- Class 1 Encroachments are permitted encroachments within District easements and require no separate approval from the District.

Class 2 Encroachments:

- Proposed Class 2 Encroachments may be permitted by letter approval from the District. Plans should be submitted to the District for review and comment.
- Existing Class 2 Encroachments may remain without approval of the District.

Class 3 Encroachments:

- Proposed Class 3 Encroachments are prohibited, except as provided in the Exceptions section below.
- When Existing Class 3 Encroachments are discovered, the District will send the Landowner a letter explaining that the Encroachment is a violation and explaining the District's rights. The letter will include a copy of the existing easement and this Policy. The letter will request that if the Landowner has any plans in the area they should remove or modify the Encroachment but it will explain that the District has no plans to pursue the issue further.
- The Landowner may request that an Existing Class 3 Encroachment be permitted as provided in the Exceptions section below.

Class 4 Encroachments:

- Proposed Class 4 Encroachments are prohibited, except as provided in the Exceptions section below.
- When Existing Class 4 Encroachments are discovered, the District will send the Landowner a letter explaining that the Encroachment is a violation and explaining the District's rights. The letter will include a copy of the existing easement and this Policy. The letter will request that if the Landowner has any plans in the area they should remove or modify the Encroachment but it will explain that the District has no plans to pursue the issue further.
- The Landowner may request that an Existing Class 4 Encroachment be permitted as provided in the Exceptions section below.

Exceptions

Prior to considering any exceptions to the above policy, the following two options should be thoroughly investigated by the Landowner:

- **Redesign of the project to eliminate, reduce, or change the nature of the Encroachment.**
- **Relocate the existing utility and easement to eliminate, reduce, or change the nature of the Encroachment.**

Class 3 Encroachments – The District can allow exceptions to the above policy for Class 3 Encroachments under the following conditions:

- Relocation of the utility and easement is not feasible or desired by the District. The District will determine this solely.
- The Encroachment is designed to permit access to the greatest extent possible and is designed to not damage the facility.
- The Encroachment can be removed in the case of emergency without dramatically impacting the landowner or occupants.
- The execution and recording of the attached Encroachment Agreement (Attachment A) defining the Landowner's responsibilities relative to the Encroachment.

Class 4 Encroachments – *The District Board of Directors must approve any exceptions to the above Policy related to Class 4 Encroachments. The District will strongly discourage exceptions to the above Policy for Class 4 Encroachments. In extreme cases, exceptions will be considered under the following conditions. The Landowner*

should contact the District for more information on this situation prior to planning any Class 4 Encroachment.

- Relocation of the utility and easement is not feasible or desired by the District. The Landowner should provide an engineering report analyzing relocation alternatives and providing recommendations. The District will determine the validity of the conclusions of the report.
- The utility facility is redesigned and reconstructed by the Landowner to a higher standard as determined by the District. The design should include provisions for removal of the facility without damage to the structure.
- The Landowner will be required to enter into a Development Agreement and comply with all of its provisions covering the utility facility reconstruction.
- The structure is designed to not damage the facility.
- The landowner will be required to execute and record an Amended and Restated Easement Agreement.

District Responsibilities

The District shall be solely responsible for determining the Class of Encroachment.

The District is responsible for restoring the easement area to a smooth graded and stabilized surface. The District will not be responsible for replacement of any improvements, regardless of Class, removed or damaged for access.

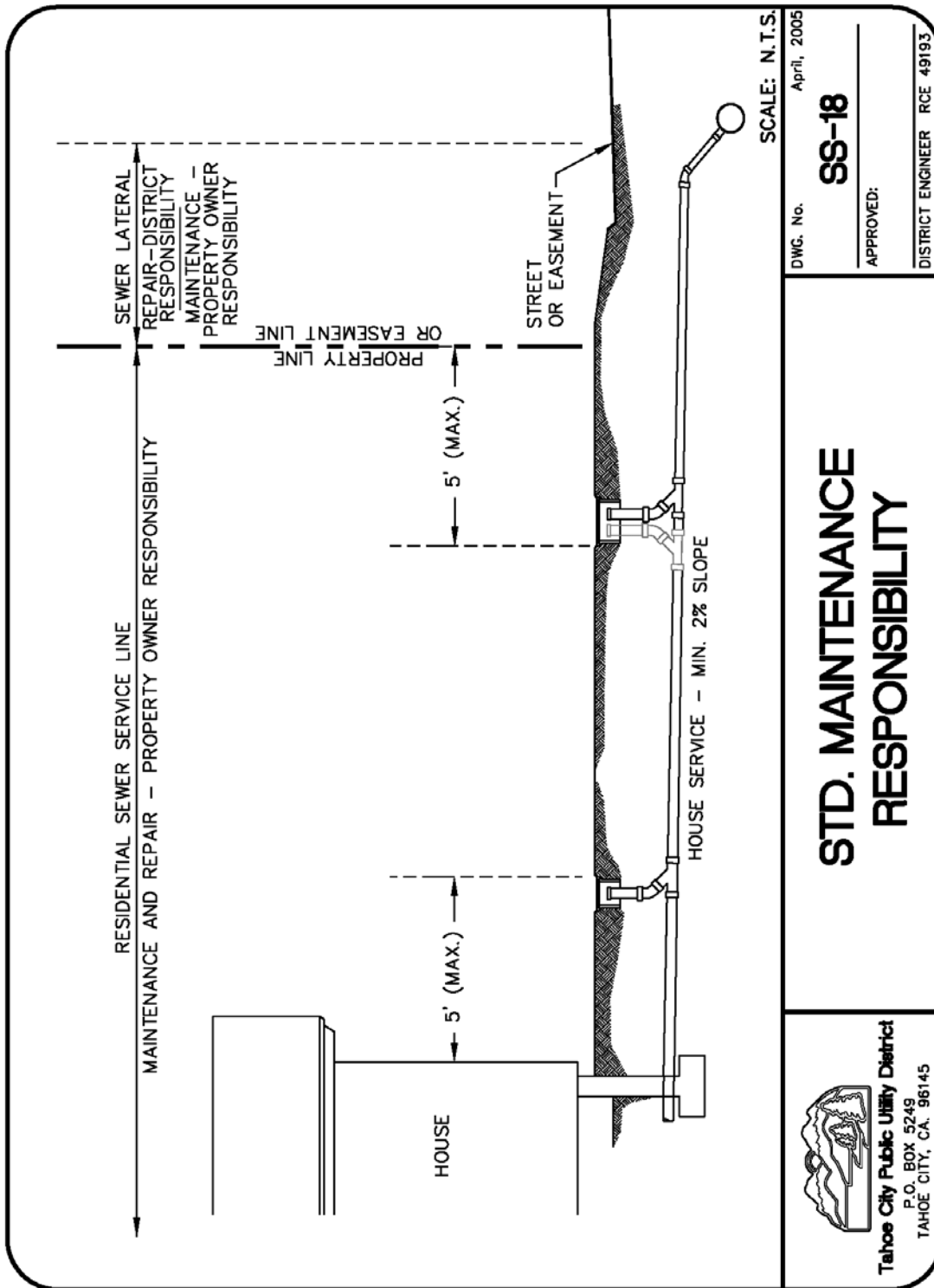
In emergencies, the District will remove improvement with least practicable damage and set them aside on Landowner's property.

For non-emergency activities, the District will provide notification to the Landowner to remove improvements. If improvements are not removed in a timely manner, the District will remove them at the expense of the Landowner.

Landowner Responsibilities

Landowner shall be responsible for all District expenses, including legal fees, associated with this policy.

Figure 3.01



- Intentionally Left Blank -

Section 4

**OBTAINING SEWER SERVICE:
APPLICATION AND PERMIT PROCESS**

4.01 SEWER SERVICE

4.01.1 Service Availability

The District will provide sewer service to parcels within the District's service territory. A letter of service availability will be given to Owners stating that, when the Owner has complied with the terms and conditions of service, including, but not limited to entering into a contract for service and payment of all fees, the District may provide sewer service.

4.01.2 Service Provided

The District will provide service to the parcel when the applicant has complied with the terms and conditions of service as outlined by the District, including payment of all fees and charges.

4.02 EXTENSION OF AND/OR ALTERATIONS TO SANITARY SEWER FACILITIES

4.02.1 Development Agreement

In order to extend or alter District sanitary sewer facilities, the Owner will be required to enter into a Development Agreement that will outline the terms and conditions of extensions and/or alterations to the sewer system. The Owner shall specify within the Development Agreement those persons or firms that he or she authorizes to act on Owner's behalf. The Owner shall accept responsibility for all communication and direction given by his or her authorized agents.

4.02.2 General Requirements

An Owner may request an extension of sanitary sewer facilities and/or alterations to existing sanitary sewer facilities in order to obtain sewer service from the District. The Owner shall be required to design and install, in accordance with District requirements, and at the Owner's expense, all sanitary sewer facilities required by said extension and/or alteration.

4.02.3 Excess Facilities

The District at its option, however, may require the Owner to install sanitary sewer facilities with more capacity, of greater length, or of a different route than would be required for the service requested, (excess facilities). The District may reimburse the Owner for the costs of excess facilities if excess facilities are required solely to benefit, improve or upgrade service to existing or other District customers.

If, however, such excess facilities are deemed necessary by the District for the orderly development of an integrated sanitary sewer system in the area of the proposed extension and/or alteration, the District may require the Owner to design, install, and pay the cost of excess facilities. The Owner may be entitled to reimbursement pursuant to Section 4.02.11.

4.02.4 District Specifies Facilities Installed

The District shall specify the size and location of the sanitary sewer facilities installed. Type and quality of material used in the installation of the sanitary sewer facilities shall meet the requirements specified in District Standard Specifications.

4.02.5 Owner Responsible for Fees

The installation of sanitary sewer facilities does not alleviate the Owner from payment of any other fees as specified within this document.

4.02.6 Improvement Plans

Improvement plans will not be considered approved by the District nor will sewer construction be authorized until the District Engineer signifies approval by letter or by dated signature on the Mylars in the approval block provided within the improvement plans.

There shall be no changes permitted to approved improvement plans unless such changes, corrections and/or additions are resubmitted to the District Engineer for consideration and subsequent approval. All changes, corrections and/or additions shall be noted, dated and initialed on the improvement plans by the Owner.

4.02.7 Agency Approvals and Permits

The Owner shall be responsible for obtaining approval from all appropriate agencies before commencement of construction of sanitary sewer facilities proposed for connection to the District sanitary sewer system. Procurement of permits from regulatory agencies shall be the full responsibility of the Owner.

4.02.8 Construction – New Facilities

Sanitary sewer facilities shall be constructed and tested in accordance with District requirements that are in force on the date the improvement plans were approved by the District, provided such construction is completed within one (1) year of the plan approval date. Improvement plans not completed within one (1) year of the approval date, as indicated by the District Engineer's dated signature on the plans, shall be updated to current District requirements.

4.02.9 Easements

Owner shall provide easements as required by the District for all facilities that will be transferred by dedication to the District. Easements shall be prepared on a form acceptable to the District and shall be recordable. Proof of ownership of properties shall be provided to the District in the form of a Grant Deed or Title Report, at the District's discretion.

4.02.10 Dedication and Acceptance

New or existing sanitary sewer facilities shall be accepted only after all District requirements are met. Existing sanitary sewer facilities shall be repaired, upgraded and tested in accordance with the current District requirements. Acceptance shall be made by resolution of the Board of Directors.

4.02.11 Reimbursement Agreement

The District, at its option, may enter into a Reimbursement Agreement with an Owner when that Owner has installed sewer facilities that may be used by other nearby properties. In this instance, the District will collect a prorated share of the cost of design and construction of those facilities from subsequent connections. The District is solely responsible for the determination of the proration of costs.

Administration of reimbursement monies will continue until all such prorated shares have been paid, but no longer than a period of ten (10) years after completion of the sanitary sewer facilities. The District will assess a fee for administration, as delineated in Section 10.

4.03 APPLICATION FOR SEWER SERVICE

4.03.1 General

No person shall connect to or alter any part of the sanitary sewer system without first making an application and securing a permit, nor may any person substantially increase the flow or alter the character of sewage, without first obtaining an additional permit and paying such charges as may be fixed by the District, including inspection charges, connection charges and service charges.

4.03.2 Application - New Construction or Remodel

Once sewer service is available to a parcel, the Owner shall apply for service on a form provided by the District. Application will be made at the District Administration office. The Owner will apply for either a standard construction permit if impacting the house service sewer or for a minor remodel permit if the project consists only of installing or removing internal fixtures.

A permit fee, in accordance with Exhibit 10.01 shall be charged at the time of application.

4.03.3 Application for Pressurized Sewer Service

Should it be determined that the sewer service must be pumped, the Owner shall submit an application for pressurized sewer service in addition to the standard service application. Requirements are described in Section 5.04.

4.03.4 Plan Check

A site plan that clearly indicates the location of water, sewer and gas utilities and all easements shall accompany the application for service.

4.04 PERMIT PROCESS

4.04.1 General

Upon approval of the application, District review of the proposed project and payment of all fees and charges, the District will issue a sewer connection permit or sewer remodel permit for the premises identified in the application. The permit, which must be executed by the Owner, shall outline the terms and conditions of service.

4.04.2 Connection Fees

Connection fees must be paid at the time of application in accordance with Exhibit 10.01.

4.04.3 Expiration of Building Permit

If a county building permit expires or if it is canceled or voided, the sewer permit shall be canceled at the same time and all connection fees previously paid to the District shall be refunded to the Owner without interest. Sewer permits shall be effective only for a period of three years, with extensions available, upon written request from the applicant. An administrative fee will be charged, as per Exhibit 10.01. The Owner must then reapply and is subject to the fees and requirements in effect at the time of application.

4.04.4 Expenses and Loss or Damage

All costs and expenses incident to the installation and connection of any sewer or other work for which a permit has been issued are the responsibility of the Owner. The Owner shall indemnify the District from any loss or damage that may directly or indirectly occur as a result of the work.

4.04.5 Transfer of Title with Open Permit

If an Owner transfers title from a parcel for which there is an open permit, the new Owner accepts responsibility for all outstanding work. The District will endeavor to obtain a transfer of permit responsibility during escrow. The new Owner will be required to enter into an agreement with the District wherein he or she accepts responsibility for completion of all incomplete work.

Section 5

**SPECIFICATIONS FOR SEWER CONNECTION:
MATERIALS AND METHODS OF CONSTRUCTION**

5.01 GENERAL

Specifications for gravity flow sewer service (Section 5.03,) pressurized sewer service (Section 5.04,) and physical discontinuance of sewer service (Section 5.05) can be found in this section. Specifications for sewer main construction can be found in "Technical Specifications for Sewer System Construction, March 17, 1989."

5.01.1 Common Trench for Neighboring Services

Neighboring structures shall not share a common pump, pressure service sewer or gravity house service sewer. Two house service sewers may be placed in a common trench on the common property line with a minimum of six (6) inches separation between the two (2) lines. The Owners shall provide an easement for the encroaching house service sewer. The owners are responsible for all costs associated with preparation and recordation of the easement.

Where two or more existing structures share an existing common service line, the Owners shall enter into a Common Service Agreement (see Exhibit 2.01) in accordance with Section 2.07.

5.01.2 Commercial, Industrial, Public Use and Multiple-Unit Service Lines

Commercial, industrial, public use and multiple-unit service lines shall be approved by the District prior to the start of construction. The District will approve the size of pipeline and type of materials.

5.01.3 Water Conservation

All installations shall comply with the requirements of ordinances, rules and regulations of the District pertaining to water conservation. (Reference District Ordinance 106.) The installation of a pressure-reducing valve may be necessary to meet water pressure requirements of 60 psi. All fixtures installed must be low-flow as defined in Section 2.11.2.

5.01.4 Floor Drains

Floor drains may not be connected to residential sewer services, whether in a mechanical room or garage or any other residential location. If a residential floor drain is encountered the Owner shall plug and cap the floor drains by pouring concrete into the drain with a District inspector present. A minimum of 18 inches of concrete, from trap to surface, shall be poured into the drain that leads to the house service sewer.

Floor drains are permitted for commercial services. Where sand, hydrocarbon-based oils and grease may be present, commercial floor drains must discharge through a sand-oil interceptor designed and installed according to Section 9.

5.01.5 Protection of Sewer During Winter

Sewer lines, cleanouts or stem pipes shall not extend above ground level after October 15 of each year for any structure that has not completed the subfloor. Sewer lines, cleanouts and the step pipe under the foundation must be capped and buried at a depth

of 24" below ground level and marked as to location until such time as primary construction commences.

5.01.6 State Licensed Contractor

A California State licensed contractor shall be responsible for the performance of all work connected with the installation of services and must be approved by the District prior to start of work. The Owner is required to provide the District with the name, address, and state license number of the contractor. The District shall not be responsible for work performed by the contractor. All contractors who work on sewer facilities within District boundaries must post a certificate of insurance with the District that shows property damage and public liability in an amount satisfactory to the District. The District must be shown as the certificate holder and as additional insured, entitled to defense, including District's officers, employees, representatives and agents. Contractors must also provide proof of worker's compensation insurance.

5.01.7 Owner-as-Contractor

An Owner may choose to install his or her own sewer facilities. Prior authorization must be obtained from the District. Authorization may be obtained by presentation of evidence of satisfactory insurance coverage for public liability and property damage and posting of a bond, in an amount specified in Exhibit 10.01, payable to the District, which shall be returned upon satisfactory completion of all work. The District shall not be responsible for work performed by Owner.

5.02 METHODS OF CONSTRUCTION - GENERAL

5.02.1 Trench

All trenching and pipe laying shall be done in conformance with the Construction Safety Orders as issued by the Division of Industrial Safety. Proper shoring is required in all trenches five (5) feet or more in depth. The District shall not complete inspection or approval unless proper shoring is achieved in accordance with the Division of Industrial Safety. If excess water is present in the trench, no grading shall be done until the water is removed.

The trench shall be graded to achieve the minimum cover requirements as defined in Table 1:

**Table 1
Minimum Cover Requirements: Sanitary Sewer Gravity Service Sewer**

Minimum Depth of Cover to Top of Pipe					
Type of Pipe	Standard Dimension Ration (SDR)	Pressure Rating	Traffic Area	Non-Traffic Area	With Engineering Analysis*
PVC	35	-	36"	24"	N/A
C-900 PVC	-	Class 150	30"	24"	12"
Ductile Iron	-	Class 350	24"	24"	6"

Note: Engineering analysis must prove that the alternate depth of cover is feasible considering all aspects of serviceability, including, but not limited to protection from freezing and crushing.

5.02.2 Bedding, Backfill and Compaction

Bedding, backfill and compaction shall conform to the following:

5.02.2.1 Bedding - Bedding material shall be placed from four (4) inches below the pipe to the springline of the pipe. Excavated material (“native”) may not be used as bedding material. Bedding Material shall be Type I except as required below. When the bottom of the trench is wet or yielding, Type II bedding shall be used. All soft material shall be removed to the depth necessary to provide firm stable bedding. No material shall be placed above the spring line of the pipe until the trench inspection is approved.

- a. **Type I Bedding Material** - Type I Bedding Material shall be imported clean sand. All material must pass a No. 3 sieve with no more than six percent (6%) passing a No. 200 sieve.
- b. **Type II Bedding Material** - Type II Bedding Material shall be imported crushed rocks with at least eighty percent (80%) of the rock having one or more fracture plane surfaces evident and shall have a grain size analysis within the following limits:

Passing 3/4 inch sieve	100%
Passing 1/2 inch sieve	90 - 100%
Passing 3/8 inch sieve	50 - 75%
Passing #4	4 - 8%
Passing #8	0 - 1%
Passing #16	0%

5.02.2.2 Backfill

Backfill shall consist of initial backfill and intermediate backfill.

- a. **Initial Backfill** – Initial backfill shall be placed from the springline of the pipe to a point twelve (12) inches above the top of the pipe. Initial backfill material shall be the same type imported material used for pipe bedding. Initial backfill shall be placed after the bedding material has been placed and the pipe joints have been inspected and passed by the District inspector. Initial backfill shall be on-site prior to inspection by the District inspector.
- b. **Intermediate Backfill** - Intermediate backfill shall be placed from twelve (12) inches above the pipe to the surface. Intermediate backfill material shall be screened excavated (native) material, free from roots, organic matter, trash, and debris, and shall contain no rocks greater than three (3) inches in diameter. All material containing rocks shall have enough gradation so that all voids are filled. Where excavated material cannot meet this specification Intermediate backfill shall only be placed after the line has been tested and approved by the District inspector. Excavations shall not remain open overnight outside of private property unless approved by the District. All trench backfill shall be completed within a maximum of five (5) working days.

5.02.2.3 **Compaction**

Bedding and backfill materials shall be compacted to a relative compaction of at least ninety percent (90%) of Modified Proctor Maximum Compaction (ASTM D 1557), unless otherwise required.

5.02.3 **Tracer Wire**

Tracer wire must be installed on all house service sewers from the foundation cleanout to the property line cleanout, and shall surface at all mid-line cleanouts, in a continuous, unbroken manner. The District will test the wire for continuity. Following are minimum requirements:

- a. Tracer wire shall be 10 AWG minimum
- b. THW, THHW, TW or THWN wet location insulation
- c. Taped to the top of the pipe at five (5) foot intervals, and all bends
- d. If spliced, splices shall incorporate a U.L. listed underground splice kit

5.03 **GRAVITY FLOW SEWER SERVICE**

5.03.1 **General**

The District shall accept gravity flow sewer service where feasible from all properties within the District boundaries that are capable of being developed.

5.03.1.1 **Codes Followed**

Material for and methods of construction of sewer services, mains and appurtenances shall be in accordance with the requirements of the most recent edition of the California Plumbing Code, the codes of the State of California, regulations of the Counties of Placer or El Dorado, and Ordinances and Construction Standards of the Tahoe City Public Utility District.

5.03.1.2 **System Design**

A gravity flow system shall consist of a gravity sewer pipe with a minimum slope of 2% having a cleanout at the foundation and a cleanout at the property line, at a minimum.

5.03.1.3 **Owner's Responsibility**

The Owner shall design the system for the project. The proposed plans should be submitted to the District for review and approval, accompanied by the standard application form for a gravity flow system.

5.03.1.4 **System Specifications**

The following requirements are intended to supplement the standard specifications for house service sewer construction and are considered minimum requirements. Where differences exist, the specifications contained herein prevail. Attached, as Figure 5.01 is the Standard Residential Sewer Service detail.

5.03.2 **Materials**

5.03.2.1 **House Service Sewer Pipe**

5.03.2.1.1 **Size**

House service sewer pipe shall be four (4) inches I.D. (inside diameter) minimum for a single-family residence and six (6) inches I.D. minimum for multiple-units, commercial, industrial and public use services.

5.03.2.1.2 Acceptable Pipe Material

Following are pipe materials that are acceptable for use as house service sewers:

- a. Polyvinyl Chloride Pipe (PVC) - PVC pipe shall be suitable for use as a gravity sewer conduit, have a maximum SDR of 35 and shall conform to and meet the requirements of ASTM, D-3034. The pipe shall be bell and spigot type. Joints for PVC pipe shall be "O" ring rubber gasket type or Johns-Manville "Ring-Tite" or equal. The rubber gasket shall be of special composition rubber recommended for sewer service. Maximum joint deflection shall be one (1) degree.
- b. Polyvinyl Chloride Pipe (PVC) C-900 - PVC C-900, Class 150 pipe shall conform to AWWA Standard C-900 for four (4) inch through 12 inch pressure water pipe or equal.
- c. Ductile Iron Pipe (DIP) Class 50 (class 51 for 4" DIP) Ductile iron pipe shall conform to the ANSI Specifications A.21.51, and AWWA C151 for Tyton joint pipe. Rubber gasket joints shall conform to ANSI A.21.11.

5.03.2.1.3 Unacceptable Pipe Material

Following are pipe materials that are NOT acceptable for use as house service sewers:

- a. Orangeburg is NOT an acceptable pipe material. If encountered in the field, it must be removed and replaced with pipe of an approved material.
- b. Acrylonitrile-Butadiene-Styrene (ABS) is NOT acceptable for house service sewer pipe outside of the foundation. If encountered in the field, it must be removed and replaced with pipe of an approved material.
- c. Clay is NOT an acceptable pipe material. If encountered in the field and it passes a pressure test, it may remain; if a pressure test fails, that section of failed pipe must be removed and replaced with an acceptable pipe material.

5.03.2.2 House Service Sewer Pipe Material in Traffic Areas

Where the house service sewer will have less than three (3) feet minimum cover in traffic areas, either PVC C-900 or ductile iron pipe shall be used (refer to Table 1, Page 5-4.)

5.03.2.3 Flexible Couplings

Flexible couplings shall be an elastomeric sleeve-type reducing or transition coupling with corrosion-resistant-metal tension band and tightening mechanism, specifically designed for joining underground non-pressure piping. Couplings shall be selected for joining the pipe materials and sizes being coupled. Flexible couplings may be Fernco Inc., Mission Rubber Company, or approved equal.

5.03.2.4 Cleanouts

Cleanouts shall be installed in accordance with the following:

- a. Location – At a minimum, a standard cleanout shall be located within five (5) feet of the structure, outside the building foundation, and a double-wye property line cleanout (Figure 5.02) shall be installed within five (5) feet of the property line, on the Owner's property.
- b. Spacing - Cleanouts shall be spaced at the rate of one for every 100 feet of line.

- c. Size - Cleanouts shall be the same size as the line served.
- d. At Bends of 45 Degrees– Cleanouts shall be placed within five (5) feet upstream of all bends of 45 degrees. Bends of greater than 45 degrees require a special cleanout arrangement. Bends of over 90 degrees are not allowed.
- e. At Bends between 45 degrees and 90 Degrees with Special Cleanout - Where bends greater than 45 degrees have been approved by the District, a special cleanout shall be installed. See Figure 5.03.
- f. Caps – Cleanouts shall have an approved watertight cap of the same material as the pipe. T-Cone caps are allowed on all pipe materials.
- g. Box - Cleanouts shall be set in a rectangular concrete box, N-9, B-12 or equal, however, cleanouts may be boxed with a G-5 or equal if a T-cone cap is used.
- h. Lids - All boxes must have a metal lid stamped “SEWER.” Lids must be installed to grade, unless in traffic area.
- i. Within Traffic Area – Cleanouts set within driveways or parking areas must have the lid set 1/2 inch below finished grade.

5.03.2.4.1 Property Line Cleanouts

A double-wye property line cleanout, in accordance with Figure 5.02, shall be installed on the following:

- a. All new or replacement house service sewers, whether residential, commercial, industrial, multiple-unit or public use.
- b. All existing house service sewers that are being upgraded, whether at time of sale or other construction, and have no wye installed at the property line.
- c. At Owner’s request.

5.03.2.5 Backwater Valves

The installation of a backwater valve may prevent wastewater from backing-up through the house service sewer into the structure being served. Installation and maintenance of backwater valves is the sole responsibility of the Owner. The District is not responsible for damage beyond the District’s control including backflow of sewage into any residential, multiple-unit, commercial, industrial or public use buildings. (See also Section 6.)

Backwater valves shall be installed in accordance with the following:

- a. Minimum size - Backwater valves shall be four (4) inch ID minimum, Flo-Control Series 1530 or NDS Model 475 or approved equal. District shall approve the backwater valve.
- b. Accessible - Backwater valves shall be located where they will be accessible for inspection and repair at all times.
- c. Joint laterals - Backwater valves may be required where residential, multiple-unit, commercial, industrial or public use house service sewers are connected to a joint lateral.
- d. Fixtures below manhole cover elevation - Backwater valves shall be installed where plumbing fixtures with overflow rims are located below the elevation of the next upstream manhole cover.

- e. Combined gravity flow and pressure systems - Backwater valves shall be installed inside or near the foundation if a pressurized sewer service transitions into the Owner's gravity system outside of the foundation.
- f. Upon determination by the General Manager - Where the General Manager determines a backwater valve may be necessary.

5.03.3 Method of Construction: House Sewer Service, Gravity Flow

5.03.3.1 Slope

Slope shall be a minimum of two (2) percent, 1/4 inch per foot, and lay true to line and grade.

5.03.3.2 Bends

Where bends are necessary in the construction of the house service sewer, the following requirements shall be met:

- a. Cleanouts shall be placed within five (5) feet upstream of all bends of 45 degrees.
- b. Bends shall not exceed forty-five (45) degrees
- c. Bends between 45 degrees and 90 degrees may be allowed under certain circumstances, and only with prior approval from the District. A special cleanout configuration must be installed if bends of greater than 45 degrees are used. See Figure 5.03, Special Cleanout.
- d. Offset Coupling of Bends – Bends in a gravity sewer line may be offset coupled in order to avoid the placement of a cleanout. Two (2) 22.5 degree bends may be substituted for a 45 degree bend if the two (2) 22.5 degree fittings are coupled no less than two (2) feet apart. The use of two (2) fittings that are offset-coupled may not exceed 45 degrees. Offset couplings may be used in series subject to the restrictions outlined in “Aggregate of Bends” below.
- e. Aggregate of Bends – Cleanouts shall be placed within five (5) feet downstream of a series of bends of less than 45 degrees each, which in aggregate equal but do not exceed 90 degrees. A cleanout may not be required if the last bend in aggregate is within 20 feet of a midline or property line cleanout.
- f. Close Coupling of Bends – Bends in a gravity sewer line may be close-coupled in order to possibly avoid the placement of a cleanout. Two (2) 22.5 degree bends may be substituted for a 45 degree bend if the two (2) 22.5 degree fittings are coupled no less than two (2) feet apart. The use of two fittings that are close-coupled may not exceed 45 degrees.

5.03.3.3 Common Trench

For the protection of the property owner and occupants, the District recommends that house service sewers not be placed in a common trench with water services and/or natural gas services. At their decision and with acceptance of associated risk, the Owner may elect to place house service sewers in a common trench as required below.

When common trenching of any utility service is proposed with the house service sewer, the Owner shall include on the plans a common service trench detail meeting the minimum requirements below. The approved common trench detail will be the basis for inspection and approval of the house service sewer installation.

The following minimum requirement for house service sewers in common service trenches shall be met at ALL points along the house service sewer. Clearances shall be measured between pipe exteriors.

- 1) Minimum coverage over house service sewer shall be as specified elsewhere.
- 2) The house service sewer shall be at least one (1) foot vertically below and one (1) foot horizontally from a water service.
- 3) The house service sewer shall be at least one (1) foot vertically below and one (1) foot horizontally from a natural gas service.
 - a. The gas service shall be installed in a continuous sleeve.
- 4) All other utilities shall be a minimum of one (1) foot clear (radial between pipe exteriors) of the house service sewer.
- 5) The common trench detail shall comply with all cover and separation criteria of the Utility Companies having jurisdiction over the other utilities occupying the common trench.

5.03.3.4 Testing for Leakage

House service sewers shall be either air-pressure tested or water tested for leakage in accordance with Section 6.03.

5.04 PRESSURIZED SEWER SERVICE

5.04.1 General

In some instances, the sewer main is higher than the sewer outlet on the residence. In other cases gravity systems cannot be made available for such reasons as economics, physical or environmental constraints. In these instances, the Owner must design and install a privately owned and operated pressure system in order to obtain sewer service.

5.04.2 Systems within Structure Foundation

Where the holding tank and pressure system is located within the foundation perimeter, the District shall neither review nor inspect the installation. The District shall inspect only that portion of the system that is outside of the foundation. The County Building Department shall be responsible for the review and inspection of pump system components located within the foundation of the structure.

The District will, however, require and inspect the installation of audible and visual alarms in accordance with Section 5.04.7.10 .

5.04.3 Codes Followed

Pressurized systems shall be installed in accordance with the requirements of the most recent edition of the California Plumbing Code, the codes of the State of California, regulations of the Counties of Placer or El Dorado, and Ordinances and Construction Standards of the Tahoe City Public Utility District.

5.04.4 System Design

A pressurized system shall consist of a gravity sewer, a wastewater holding tank, proper venting, one or more pumps, a force main, electrical controls and an alarm system. Building plumbing should be designed to give the advantage of optimum location of pump and discharge line to sewer and minimum pumping head.

5.04.5 Owner's Responsibility

The Owner shall have a California licensed engineer design the pressurized system for the project. The proposed plans should be submitted to the District for review and approval, accompanied by the standard application form for a pressurized system.

Power failures do occur and it is the responsibility of the Owner to prevent sewage backup during such events. The Owner should consider the installation of additional storage to provide backup for power failures of short duration. An automatic water shut-off valve with manual override that activates during a power failure could prevent sewage backup.

Emergency power generation should also be considered to provide uninterrupted service. If auxiliary power is not supplied, at a minimum the Owner should provide a terminal block at the control panel for providing power from a portable generator.

The District recommends that the Owner establish a preventative maintenance program that would include a service agreement with a local plumbing contractor.

5.04.6 System Specifications

The following requirements are intended to supplement the standard specifications for individual pressure sewer system construction, and are considered minimum requirements. Where differences exist, the specifications contained herein shall prevail. Attached, as Figure 5.04 is the Residential Pressure Sewer Service Connection detail.

5.04.6.1 Pump Chamber Housing

Pumps, pumping chamber, controls, valves and other appurtenances shall be located within a protective structure, capable of housing the tank and all appurtenances. The structure shall be fully insulated to protect the facilities from freezing. Figure 5.05 is an example of a typical outdoor housing.

5.04.6.2 Flow Rate

The pressurized system shall be capable of meeting the required minimum flow rate at the total dynamic head characteristic of the system. The required minimum flow rate shall be the flow rate necessary to maintain a minimum velocity of 2.5-ft/sec in the discharge line during pumping, with a minimum discharge capacity of 20 gallons per minute (gpm.)

5.04.7 Materials

5.04.7.1 Pumping Chamber

The pumping chamber (wastewater holding tank) shall be constructed of leak-proof materials and shall be impervious to infiltration of surrounding waters and exfiltration of contained wastes. Minimum pumping chamber reserve capacity shall be as shown in Table 2.

Table 2
Pumping Chamber Reserve Capacity

Type of Service	Minimum Pump Chamber Reserve Capacity
Single-Family Residential	150 Gallons
Multi-Unit Residential, Commercial, Industrial, Public Use or Lake Zone Properties	250 Gallons

5.04.7.2 Pump Types

There are two types of pump designs that are acceptable for installation within the District service territory:

- a. **Submersible Sewage Ejector:** A non-clog submersible pump. In single dwelling units, the pump must be able to pass a one and one-half (1-1/2) inch diameter sphere, requiring a minimum two (2) inch discharge line. In multiple-units, commercial, industrial and public use occupancy, the pump must be able to pass a two (2) inch diameter sphere, requiring a minimum three (3) inch discharge line.
- b. **Grinder Pump:** A submersible pump with a solids grinding attachment, similar to a garbage disposal, which produces pulverized sewage. In single dwelling units, a minimum two (2) inch discharge line is required. Multiple-units, commercial, industrial and public use occupancy require a minimum three (3) inch discharge line.

5.04.7.3 Dual Pump Systems

To allow for redundancy in case of overload or mechanical failure, the Owner may install two pumps in parallel with appropriate valves and piping to allow discharge through a common discharge line. The dual pumps shall function independently in case of overload or mechanical failure. The standby pump (lag pump) shall be controlled in a manner that it will automatically take place of the first pump (lead pump) in the event of a failure. An alternating circuit shall be installed to ensure that each pump is exercised and fully functional and to balance the wear on each pump. The wastewater holding tank shall hold a minimum of 250 gallons per dwelling unit. Tank volume for multiple-unit, commercial, industrial and public use shall be determined on an individual basis.

Dual pump systems are required in multiple-unit residential, commercial, industrial and public use occupancy.

Pressurized systems located within 300 feet of the Lake Tahoe high water line or within 150 feet of an established contributing Stream Environment Zone (SEZ), creek or river are considered Lake Zone Services and require a dual pump system.

5.04.7.4 Discharge Pipe

The minimum discharge pipe size shall be as shown in Table 3.

**Table 3
Discharge Pipe Size: Pressurized Sewer Service**

Type of Service	Minimum Pipe Size with Grinder Pump	Minimum Pipe Size with Submersible Pump
Single-Family Residential	2"	2"
Multi-Unit Residential, Commercial, Industrial, or Public Use	3"	3"

The materials required for the buried discharge piping shall be a minimum of Class 200 pressure pipe in ductile iron, polyethylene or SDR-21, Ring-Tite pressure pipe. PVC Schedule 80, Class 200 or equivalent pressure pipe is acceptable for exposed discharge piping in and adjacent to the pump station.

5.04.7.5 Valves

Discharge pipes shall have a check valve, a bypass valve and an isolation gate or ball valve located as close to each other and the pumping unit as possible, readily accessible and protected from freezing.

5.04.7.6 Check Valves

Check valves shall be swing check style, rated for use in sewage applications, and shall be pressure rated to a minimum of 200 psi. Check valves shall be located on the discharge line as close to the pump as possible, and must be accessible. Unions may be used in the installation of check valves for repair and replacement. In dual pump systems, check valves are required on both individual pump discharge lines before they are joined.

5.04.7.7 Check Valve Bypass Line

A check valve bypass line shall be installed between the check valve and the isolation gate valve. The bypass shall be installed with an approved tee fitting, gate valve (same type as isolation valve) and pipe of the same size as the discharge line. Horizontal bypass return line shall be installed with a slight slope so that it will drain completely and shall be protected from freezing. The bypass line shall enter the wet well above the high water level line and be sealed appropriately where it enters the wet well. Bypasses on dual pump systems shall be installed separately between each check valve and isolation valve but may use a common drain return line to the wet well.

5.04.7.8 Isolation Gate Valve or Ball Valve

Isolation gate or ball valves shall be full-way type with working parts of corrosion resistant metal and shall have a body of cast iron or brass. The gate or ball valve shall be the same size as the discharge piping and have a minimum pressure rating of 200 psi. In dual pump systems isolation valves are required on both individual pump discharge lines before they are joined.

5.04.7.9 Cleanouts

There shall be no cleanouts located on the pressure system discharge line. Where a pressure system transitions to a gravity system within the foundation, a standard

cleanout shall be located on the gravity system leaving the structure within five (5) feet of the foundation. Where a pressure system exits the foundation, a standard cleanout shall be located within five (5) feet downstream of the transition from pressure to gravity. A cleanout shall be located at the property line only if the pressure line has transitioned to gravity at or prior to the property line (see Figure 5.04.)

5.04.7.10 Alarm System

An audible and visual alarm system shall be installed in the living area of the home, where it can be seen and heard at all times. The alarm system shall continuously signal when the sewage level in the pumping chamber exceeds a predetermined safe level.

Remote alarm systems shall be installed in all contributing units of multiple-unit residential, commercial, industrial or public use.

Annual alarm tests are recommended as part of an annual pump system maintenance program.

5.04.8 Method of Construction: House Service Sewer, Pressurized System

5.04.8.1 Common Trench

Pressurized sewer service discharge lines shall not be placed in a common trench with water or gas services. At the discretion of the District Engineer, other utilities may be included in the trench with pressurized sewer service discharge lines. Where a water service is located less than ten (10) feet horizontally from a pressurized sewer system, a District approved backflow prevention assembly shall be installed at the water meter for that service. Owner shall submit a common trench detail for approval, which shall be considered on a case-by-case basis.

5.04.8.2 Testing for Leakage

The discharge piping must be air-tested at 10 psi for 10 minutes in accordance with Section 6. Where possible, the pressure service shall be drained prior to testing. There shall be no detectable leakage.

5.04.8.3 Water Service Cross-Connection Control and Pressurized Sewer Service

5.04.8.3.1 Commercial, Industrial and Public Use Services

In accordance with Title 17, §7604, where a pressurized sewage system is installed at commercial, industrial or public use facilities, the Owner shall install an approved backflow prevention assembly at the meter or point of service on all water services to protect them from potential cross-connections.

5.04.8.3.2 Residential Services

Where a pressurized sewage system is located within close proximity of a water service or main, the Owner shall install an approved backflow prevention assembly on all water services to protect them from potential cross-connections.

5.05 PHYSICAL DISCONTINUANCE OF HOUSE SERVICE SEWER

Before the use of any house service sewer is discontinued, the Owner shall apply for and obtain a Permit from the District to cut and cap the sewer or place a seal cap, at the discretion of the District. The Owner must pay fees according to Exhibit 10.01.

5.05.1 Remodel

Where a structure or a portion of a structure will be removed or demolished, sewer service shall be physically disconnected. The Owner must cut and cap the sewer in accordance with Section 5.05.3.

5.05.2 Permanent Removal of House Service Sewer

Where an Owner chooses to permanently remove a house service sewer from service, the Owner must cut and cap the sewer in accordance with Section 5.05.3.

5.05.3 House Service Sewer Abandonment

In order to abandon an existing residential, commercial, industrial or public use house service sewer, the service must be cut and capped at the upstream side of the property line cleanout, within five (5) feet of the cleanout, or at a location as determined by the District. At least a two (2) foot section of the sewer service must be removed.

Both ends of the line must be capped or plugged with a District-approved direct-bury cap or plug, which must be witnessed by a District inspector prior to pouring concrete. A single 75-pound bag (minimum) of mixed concrete shall be poured onto the downstream side of the abandoned house service sewer service, following District inspection of the installed cap.

5.05.4 Mandatory Water Service Lockout

Prior to sewer service abandonment, the water service to the affected parcel must be either locked out or physically disconnected by the appropriate water purveyor.

5.05.4.1 Water Meter or Service Valve Lockout.

The water meter or curb stop valve serving the property must be padlocked or lockout tagged by an authorized agent of the water purveyor to prevent actuation by an unauthorized party. If the existing service valve at the property line is a non-locking type valve, the District or the water purveyor that serves the property may install a lockable meter setter or a locking-type valve on the Owner's side of the existing non-locking valve.

5.05.4.2 Physical Disconnect of Water Service

If there is no physical method by which the water service can be locked or tagged, the water line must be physically severed and abandoned. This method shall also be employed for a private single service or homeowner owned system. The water service line shall be physically disconnected as close to the non-locking property line service valve or homeowners property line as possible.

The line shall be severed with a minimum of two (2) feet of water line to be removed. The line shall then be capped or plugged on both exposed ends with a cap or plug as approved by the California Plumbing Code.

If one unit of a multiple-unit parcel's water service is to be abandoned, the service branch servicing the individual unit must be severed, capped and abandoned as far away from the unit as possible.

Lockouts and tag outs are only approved on District or State licensed water purveyors meter or property service valve.

5.05.4.3 Fire Services

Where properties are served with fire sprinkler services, these lines are to remain in service. If the fire service line is part of the domestic supply line to the structure or structures, the domestic service to the structure must be severed and capped prior to entering the structure. The fire and/or domestic service may have to be re-plumbed to achieve proper separation of systems prior to inspection of abandonment.

The Owner may not restore water service to the structure without the written permission of the water purveyor.

5.05.4.4 Irrigation Services

Where the Owner chooses to continue water service for irrigation, the domestic service to the structure must be severed and capped prior to entering the structure.

Figure 5.01

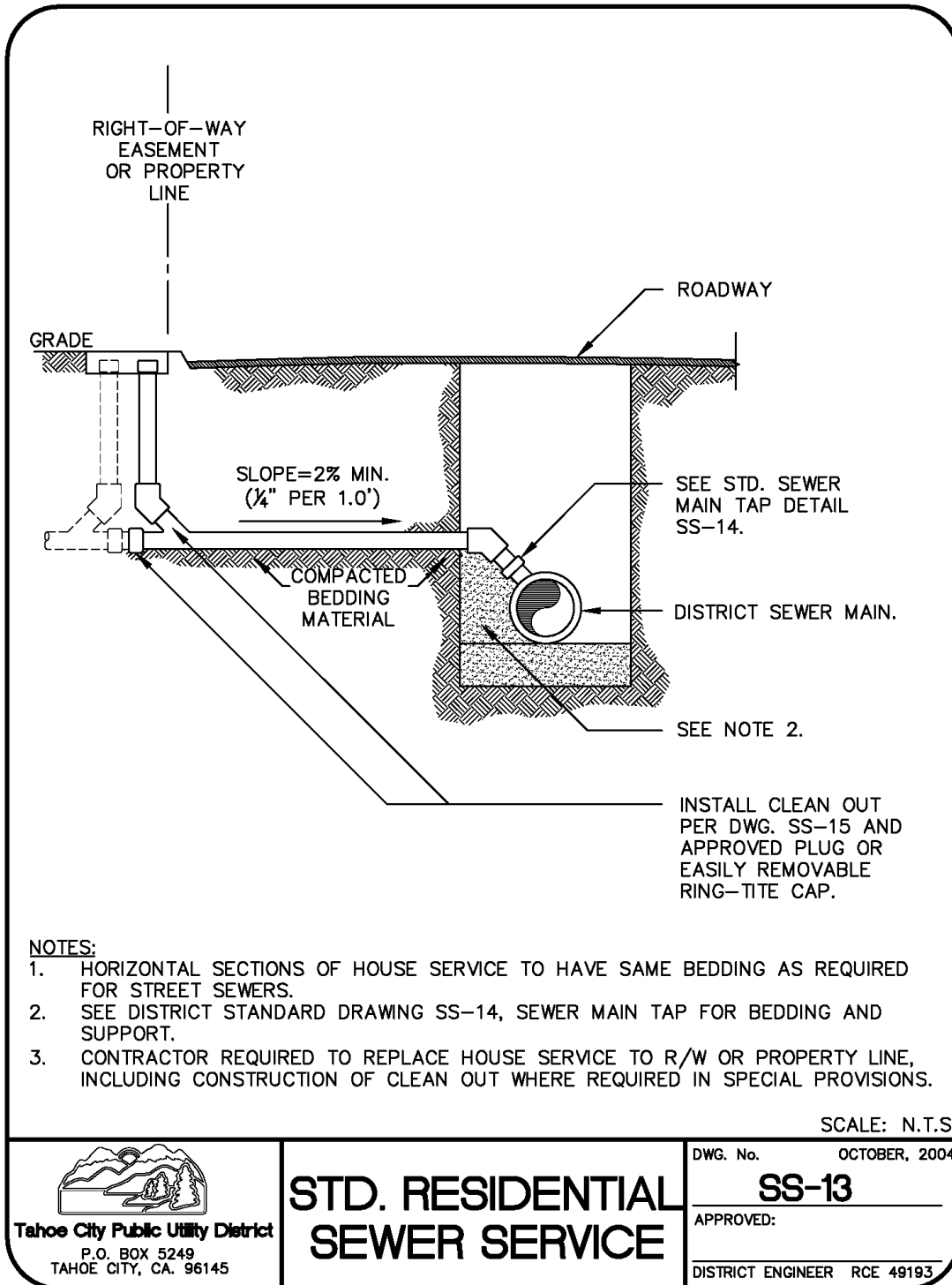


Figure 5.02

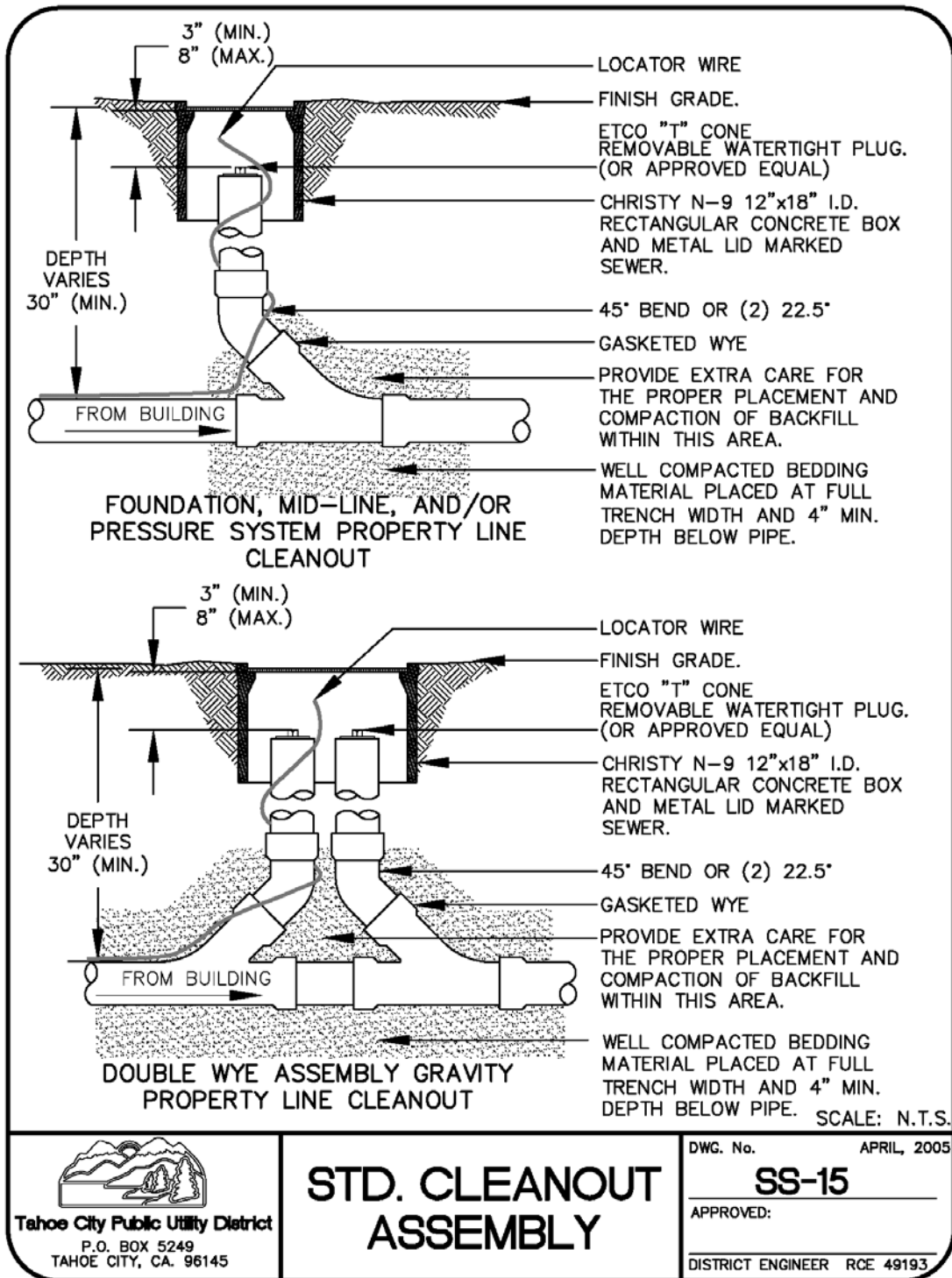


Figure 5.03

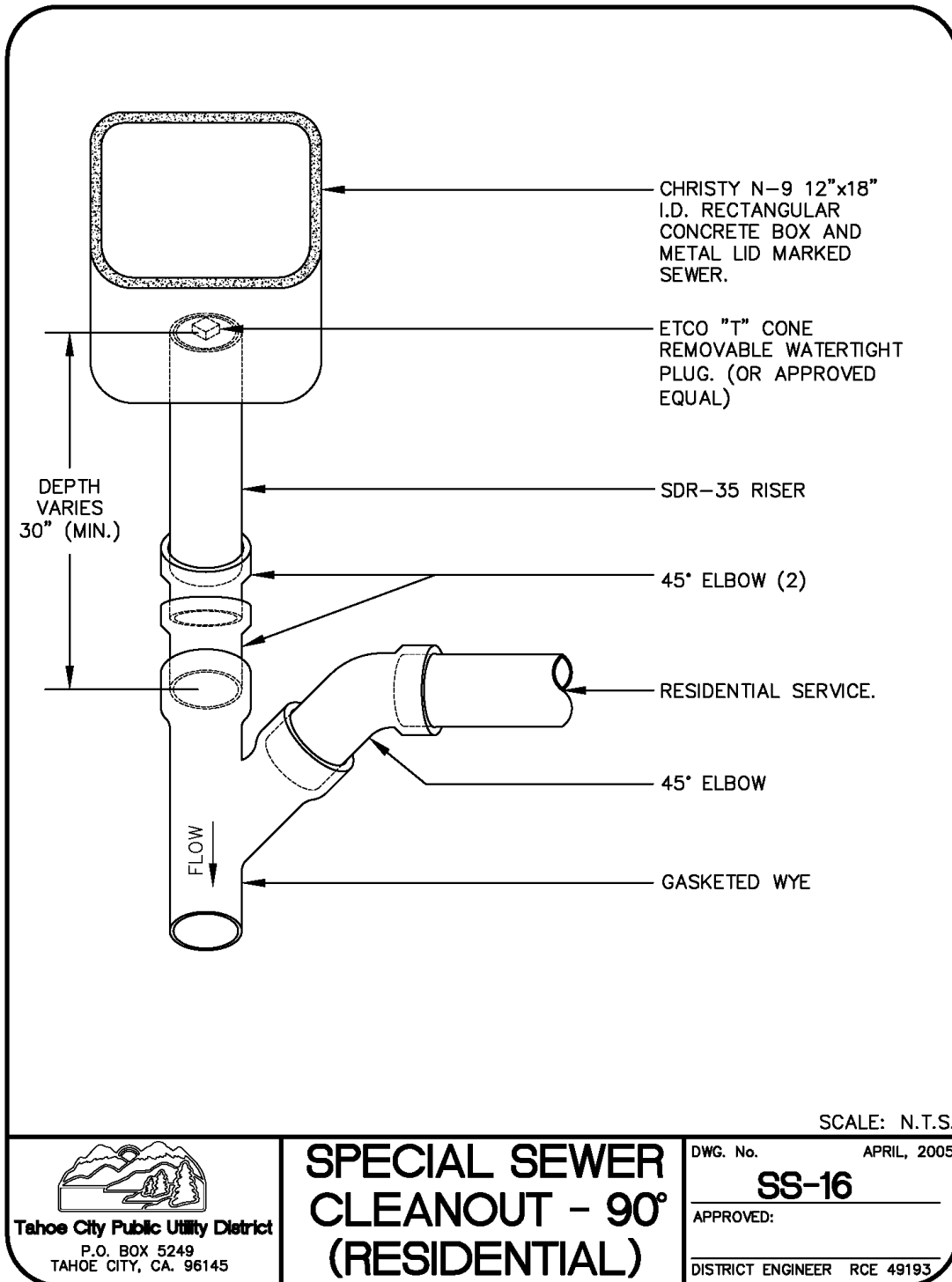
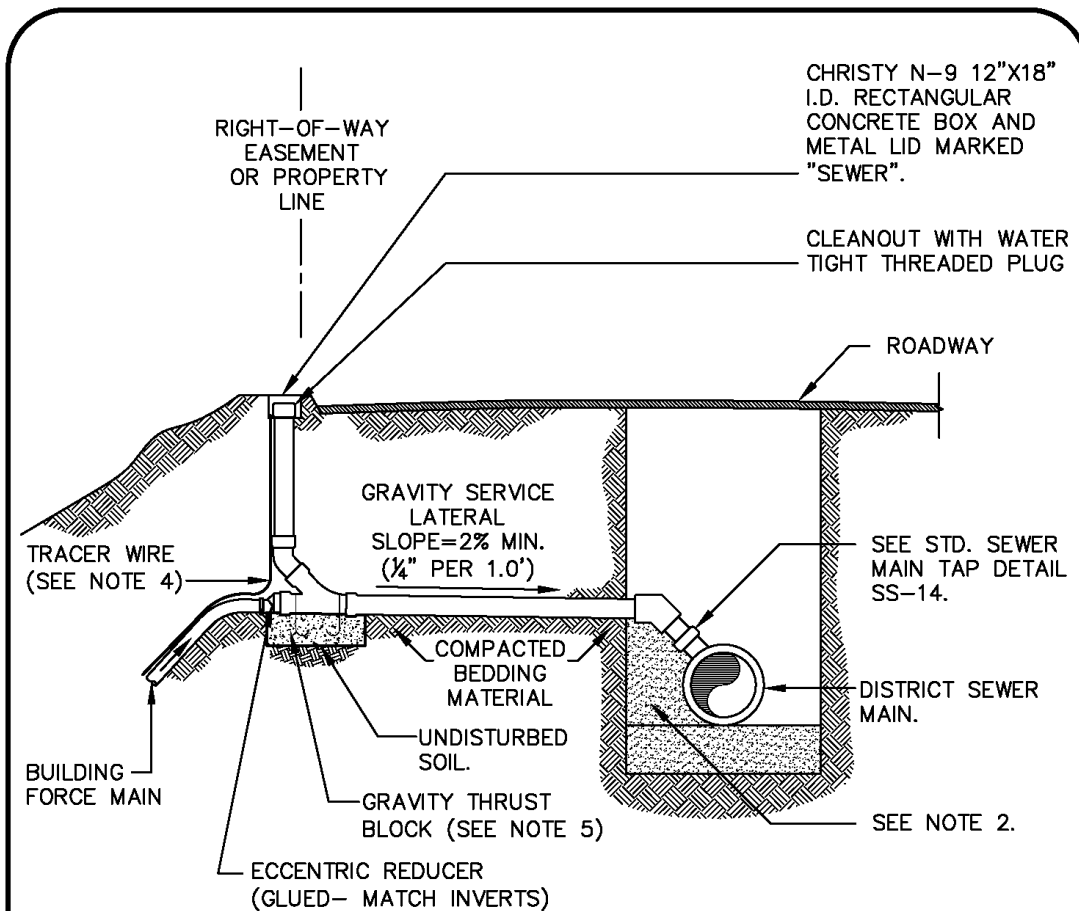


Figure 5.04



NOTES:

1. HORIZONTAL SECTIONS OF HOUSE SERVICE TO HAVE SAME BEDDING AS REQUIRED FOR STREET SEWERS.
2. SEE DISTRICT STANDARD DRAWING SS-14, SEWER MAIN TAP FOR BEDDING AND SUPPORT.
3. CONTRACTOR REQUIRED TO REPLACE HOUSE SERVICE TO R/W OR PROPERTY LINE, INCLUDING CONSTRUCTION OF CLEAN OUT WHERE REQUIRED IN SPECIAL PROVISIONS.
4. TRACER WIRE ATTACHED TO TOP OF FORCE MAIN. CONTINUOUS ALONG ENTIRE LENGTH OF FORCE MAIN. BEGINNING AT BOXED CHECK VALVE AND TERMINATING AT PROPERTY LINE CLEANOUT.
5. SECURE WYE FITTING WITH 1/2" DIA. REBAR STRAP. HOOK ENDS OF REBAR WITHIN THRUST BLOCK PER T.C.P.U.D. STD. THRUST BLOCK DETAIL W-08.
6. DO NOT USE DOUBLE WYE PROPERTY LINE CLEANOUT DOWNSTREAM OF PRESSURE TO GRAVITY TRANSITION.

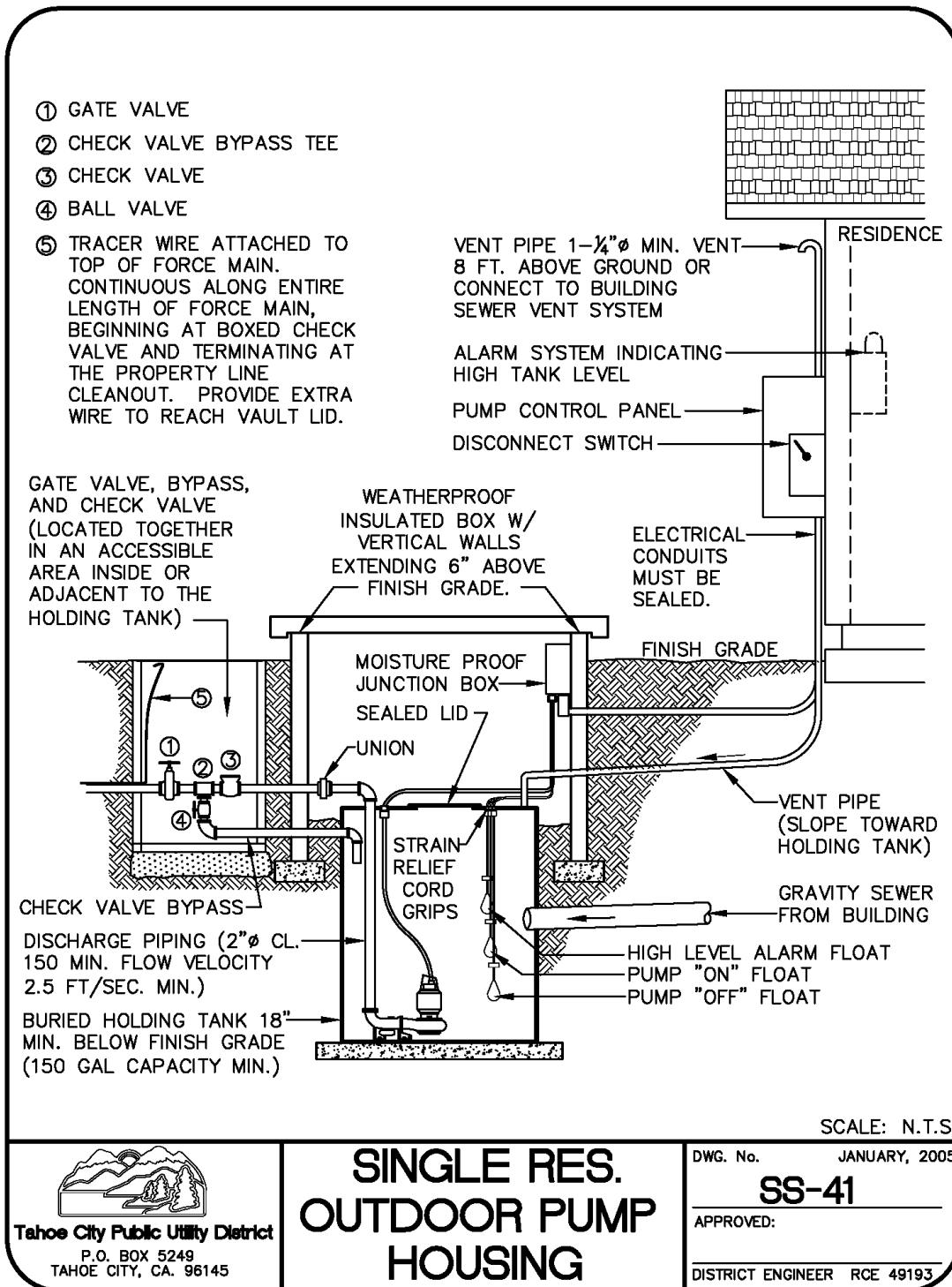
SCALE: N.T.S.

Tahoe City Public Utility District
 P.O. BOX 5249
 TAHOE CITY, CA. 96145

**RES. PRESSURE
 SEWER SERVICE
 CONNECTION**

DWG. No. **SS-39** JANUARY, 2005
 APPROVED: _____
 DISTRICT ENGINEER RCE 49193

Figure 5.05



Section 6

INSPECTION, TESTING AND MAINTENANCE PROCEDURES

6.01 INSPECTIONS

This section addresses the inspection of house service sewers and appurtenances. The inspection of sewer mains shall be in accordance with Section 17, Tahoe City Public Utility District "Technical Specifications for Sewer System Construction."

The following requirements apply to both gravity flow and pressurized house service sewers:

6.01.1 Codes Followed

Inspection of sewer fixtures, house service sewers, grease interceptors and sand-oil interceptors shall be in accordance with the requirements of the most recent edition of the California Plumbing Code, the codes of the State of California, regulations of the Counties of Placer or El Dorado, and Ordinances and Construction Standards of the Tahoe City Public Utility District.

6.01.2 Permit Required

The Owner must obtain a permit from the District in accordance with Section 4, under the following conditions:

- a. Prior to installation, repair or replacement of house service sewers or components of pressurized systems
- b. Prior to installation or replacement of internal fixtures
- c. Prior to construction / expansion of structures outside of the existing building foundation
- d. Prior to installation, repair or replacement of grease interceptors or sand-oil interceptors

6.01.3 Inspection Required

A District inspector shall inspect all permitted sewer work to ensure compliance with all requirements of the District.

6.01.4 No Warranty

As it relates to inspection services, the District, its officers, agents and employees shall not be deemed to make any warranties of any kind including warranties as to accuracy of location information, inspection or adequacy of materials or workmanship. The District shall not be responsible for any losses or damages sustained or resulting from any such inaccuracies or inadequacies or defective materials or workmanship.

6.01.5 Owner to Request and be Present for Inspection

It shall be the duty of the person performing work authorized by permit to notify the Public Works Department of the District when work is ready for inspection. Installation and testing conducted without such notice shall not satisfy the requirements of this Section. All facilities must be accessible and the system must be completely ready for inspection at the scheduled time. Failure to comply with this will result in an additional

inspection service charge in accordance with Exhibit 10.01 for each repeat site visit. The Owner must be present during all inspections.

6.01.6 Normal Inspection Schedule

Inspections may be scheduled Monday through Friday (excluding legal holidays) from 8:30 a.m. to 3:30 p.m., weather conditions permitting. Inspection requests should be made not later than 4:30 p.m. for next day inspections.

6.01.7 After-Hours Inspections

At the District's discretion, the District may schedule inspections outside of normal working hours, on weekends or holidays, if requested. The Owner must pay all associated costs. A deposit will be required prior to scheduling the work.

6.01.8 Unsatisfactory Inspection

When any work has been inspected and the results are not satisfactory, notice shall be given instructing the Owner, on-site and in writing, to correct the work authorized by the permit.

6.01.9 Connection Without Inspection

Any connection made to the District system without inspection and approval shall constitute a violation of this Ordinance. The District may require the Owner to uncover said installation for the purpose of inspection and examination. Should it become necessary for the District to expose the installation, expense incurred by the District shall be charged to the Owner.

6.01.10 Categories of Inspections

6.01.10.1 Residential Inspections

6.01.10.1a Residential New Construction or Remodel Permit

As a part of the standard construction permit (new construction, remodel) there shall be up to four (4) site inspections, to include an initial trench inspection, witness of a pressure test, and a final inspection. A fourth site visit is allowed for any purpose at no additional charge. Any inspection beyond four (4) will be billed to the Owner according to Exhibit 10.01.

When a sewer line is replaced without any remodel of the structure, a permit will be issued to include two site visits - one trench inspection and one sewer pressure test. Additional site visits will be charged in accordance with Exhibit 10.01.

6.01.10.1b Residential Minor Remodel Permit

As a part of the minor remodel permit (for the installation or replacement of internal fixtures only) there shall be a single final inspection. Any inspection beyond the one final inspection will be billed to the Owner according to Exhibit 10.01.

6.01.10.1c Residential Time of Sale Pressure Test

At time of sale, a single site visit will be provided to witness the pressure test. There will be no charge for the initial site visit. If additional site visits are necessary, they will be charged in accordance with Exhibit 10.01.

6.01.10.2 Commercial Inspections

6.01.10.2a Commercial New Construction or Remodel Permit

As a part of the standard construction permit (new construction or remodel) the Owner shall place a deposit that will be applied to the actual cost of inspection by District personnel. Inspections include, but are not limited to: initial trench, witness of a pressure test, and a final inspection. The deposit will be charged in accordance with Exhibit 10.01.

When a sewer line is replaced without any remodel of the structure, a permit will be issued to include two site visits - one trench inspection and one sewer pressure test. Additional site visits will be charged in accordance with Exhibit 10.01.

6.01.10.2b Commercial Minor Remodel Permit

As a part of the minor remodel permit (for the installation or replacement of internal fixtures only) there shall be a single final inspection. Any inspection beyond one final inspection will be billed to the Owner in accordance with Exhibit 10.01.

6.01.10.3 Types of Inspections

6.01.10.3a Initial Trench Inspection

The District will inspect all exposed trenches for proper bedding, backfill, grade, material and installation method. No house service sewer or sewer lateral shall be covered at any point until it has been inspected and passed by the District.

6.01.10.3b Witness of Pressure Test

A District inspector shall be present to witness a sewer pressure test, as described in this Section. Test results will not be accepted if a District inspector was not present during the pressure test.

6.01.10.3c Final Inspection

During the final inspection, a District inspector will check fixtures, water pressure, confirm that pressure tests are completed and that cleanouts are boxed.

The Owner of a building under construction or remodel shall not make use of the District sewer system until all the building sewer fixtures have been installed and have been inspected for compliance with water conservation and other requirements.

Prior to scheduling a final inspection, the Owner shall ensure that:

- a. All fixtures are set and connected to water
- b. All fixtures are low-flow, in accordance with Section 2.11.2
- c. Water pressure does not exceed 60 psi at any fixture that discharges to the sewer
- d. Pressure testing of sewer system has been satisfactorily completed
- e. Cleanouts are accessible, boxed and visible to the inspector and have proper caps installed securely
- f. All conditions outlined in the permit have been met

6.02 TESTING AND MAINTENANCE PROCEDURES

6.02.1 General

This section addresses the testing and maintenance of house service sewers and appurtenances. The testing and maintenance of sewer mains shall be in accordance

with Section 17, Tahoe City Public Utility District "Technical Specifications for Sewer System Construction."

The following requirements apply to both gravity flow and pressurized house service sewers:

6.02.1.1 Sewer Services Must be Capable of Passing Test

All persons who own a home, building or property that is connected to a District sanitary sewer must install and maintain the house service sewer in a condition that is capable of passing tests in accordance with this Section.

If a house service sewer does not meet the standards set forth in Section 5, the Owner shall complete corrective work and testing shall be performed within 30 days from the date of the original test or from the date of a written notice to the Owner, whichever occurs first.

6.02.1.2 Financial Responsibility

Cleaning and testing shall be conducted at the sole expense of the Owner of any house, building or property. Owners of condominiums or other multiple unit structures shall be responsible for the cost of testing, repair and replacement unless the property owner's association or other authorized entity assumes responsibility in writing.

6.02.1.3 Contractor

6.02.1.3.1 Licensed Contractor

A contractor, licensed by the State of California and approved by the District shall be responsible for the performance of all work associated with the cleaning and testing of sewer service lines. Contractors must post a certificate of insurance with the District showing property damage and public liability in an amount satisfactory to the District.

6.02.1.3.2 Owner as Contractor

A Owner may perform the cleaning and testing by obtaining authorization from the District and by posting a bond in an amount of specified in Exhibit 10.01. Owners must post a certificate of insurance with the District showing property damage and public liability in an amount satisfactory to the District. The District must be named as an additional insured on a Commercial General Liability Endorsement (Form B) to be included as an attachment to the Insurance Certificate.

6.02.1.4 Cleaning and Testing of Sewer Lines

House service sewers serving residential, multiple unit, commercial, industrial and public use, connected to a District sanitary sewer, shall be cleaned and pressure tested or visually inspected to ensure that they are not subject to infiltration or exfiltration.

Those house service sewers that are greater than ten (10) feet in length shall be cleaned and pressure-tested, and those that are ten (10) feet or less in length shall be inspected either by way of closed-circuit television or pressure testing.

Pressure testing and/or visual inspection shall apply to the following:

- a. Connection of a new structure to the District's sewer system
- b. Remodeling of a house, building or property served

- c. Change of use of a house, building or property served, for example, from residential to commercial, or from office and professional to restaurant, or from garage to apartment
- d. Upon repair or replacement of all or part of the building or house service sewer lines
- e. Prior to the close of escrow upon the sale of a house, building or property served, or by private transfer of a house, building or property served, unless the house, building or property served has been tested within the previous five (5) years. However, if the house service sewer is new or has been completely replaced, is constructed out of allowable pipe material, includes a double-wye cleanout, and has been tested within the previous ten (10) years, a pressure test will not be required prior to the close of escrow.
- f. Where inflow or infiltration is suspected, or if a defect in the house service sewer is suspected based upon observation by the District
- g. Upon determination by the General Manager that the cleaning and testing is required for the protection of the public health, safety or welfare

6.02.1.5 Cash Security in Lieu of Testing

6.02.1.5.1 Weather Conditions, Excavation Restrictions Prohibit Testing

Should cleaning, testing, repair or replacement be required on a gravity or pressurized house service sewer at a time when weather conditions, excavation restrictions, or other circumstances prohibit such repairs, the General Manager may defer completion of the requirements until such date as agreed upon between the Owner and the District. If the test is deferred, the Owner shall enter into a contract for performance of said work and shall place a cash deposit in the form of a money order, payable to the District, in an amount equal to one hundred twenty-five percent (125%) of the estimated cost of cleaning, testing repair or replacement of the house service sewer or sewer pressure system components.

The District shall prepare an estimate of said replacement costs. The Owner shall obtain an estimate from a California State licensed contractor for performing all work necessary so that the house service sewer will pass a sewer pressure test as described in Section 6.02 and 6.03.

The deposit required shall be based upon one hundred twenty-five percent (125%) of the estimated costs from whichever estimate is greater (District's or Contractor's). This amount will be held until the repair or replacement is made, which must be no later than June 15 following the circumstances preventing initial cleaning, testing, repair or replacement.

If the work agreed to is not completed by June 15, the deposit held by the District shall be used by the District to physically disconnect the house service sewer or to perform the work agreed to. The District may use the funds to pay a contractor to physically disconnect the sewer service or to perform the necessary work, at District's discretion. Should such costs exceed the amount deposited, the difference shall be billed to the Owner of record.

Upon completion of the necessary work, whether by Owner, District or contractor, the balance of funds will be released to the Owner within 15 days of the approved inspection of the work.

6.02.1.5.2 Time of Sale: Weather Conditions or Excavation Restrictions Prohibit Testing

Owners must plan for and make every effort to complete pressure testing of the house service sewer prior to close of escrow. The purpose of the withhold is to ensure the integrity of the house service sewer by holding funds for its repair or replacement during periods when the house service sewer is inaccessible. In the event that sewer cleaning, testing, repair or replacement would be required, at a time when weather conditions or excavation restrictions (October 15 until May 1) prohibit such repairs, the District may defer completion of such requirement until June 15th or such earlier date as agreed upon with the property owner. If the test is deferred, the Owner may post a performance bond with the District in an amount equal to one hundred twenty-five (125%) percent of the District's estimate of the cost of replacing the service lateral. The bond shall be callable on the date when the owner should have completed testing and the funds will be released to the District. The owner must also provide the District with a copy of an executed, binding contract with a California State licensed contractor, authorizing that contractor to perform all work necessary to test and repair or replace the existing house service sewer so that it will pass a sewer pressure test as described in Sections 6.02 and 6.03. The contract will include the cost to repair or replace existing pressurized systems and abandon any septic systems that may be on the property.

In place of a performance bond, the owner shall escrow funds in an amount equal to one hundred twenty-five (125%) percent of the District's estimate, if the property is being sold. Funds escrowed will not be released without written notification by the District to the title company holding such funds. If the cleaning and testing is not completed by the time set by the Ordinance, the funds held in escrow shall be released to the District. Said funds may be used by the District to perform or have a contractor perform physical disconnection, testing, repair or replacement of the sewer service. **Should such costs exceed the amount held in escrow; the difference will be billed to the property owner of record.** Such costs may become a lien on the property in accordance with normal service charge billing procedures. If funds held in escrow are released without the consent of the District and testing has not been satisfactorily performed, the District may perform or have a contractor perform physical disconnection, testing, repair or replacement of the sewer service. Such costs may become a lien on the property in accordance with normal service charge billing procedures.

Upon completion of the necessary work, whether by Owner, District or contractor, the balance of deposited funds will be released to the original depositing party within 15 days of the approved inspection of the work.

6.02.1.6 Pressure Test Waived

The General Manager shall have the authority to waive the cleaning and testing requirements if there is good reason to believe that such testing is not necessary.

6.03 TEST METHODS

6.03.1 General

This section addresses the methods used for testing house service sewers and appurtenances. The methods for testing sewer mains shall be in accordance with Section 17, Tahoe City Public Utility District "Technical Specifications for Sewer System Construction."

The following requirements apply to both gravity flow and pressurized house service sewers:

6.03.1.1 Tracer Wire

Tracer wire must be installed on new or replaced house service sewers in accordance with Section 5.02.3. The tracer wire on both pressure and gravity flow systems will be tested for continuity.

6.03.1.2 Test Gauge

Test gauges shall read in 1/10-pound increments and have a pressure range not greater than 15 psi. Gauge must be accessible to Inspector without trench entry.

6.03.1.3 Caps Secure

Following pressure test or visual inspection, District-approved caps are to be placed on all cleanouts to ensure that line remains free of debris or infiltration.

6.03.1.4 Seal Cap

At the discretion of the District, a seal cap may be set by the District.

6.03.1.5 Unsatisfactory Test Results

6.03.1.5.1 Failure of Pressure Test or Visual Inspection

If a house service sewer fails the pressure test following two (2) attempts, or if the visual inspection reveals defects, the line shall be repaired or replaced at the Owner's expense, within 30 days of the date of the initial pressure test. The Owner shall be responsible for notifying the District when corrective work has been completed and for scheduling a new test. Additional inspection fees will be charged in accordance with Exhibit 10.01.

6.03.1.5.2 Notice to Owner

When any work has been inspected and the test results are not satisfactory, notice to that effect shall be given instructing the Owner of the premises or the agent of such Owner, on-site and in writing, to repair the sewer or perform other work authorized by the permit in accordance with the ordinances of the District. Follow-up inspections shall be charged in accordance with Exhibit 10.01.

6.03.2 Test Methods: Gravity Service

Gravity house service sewers may be pressure tested with air or water. The requirements for air pressure testing are found in Section 6.03.2.1 while the requirements for water pressure testing are found in 6.03.3.1.

6.03.2.1 Air Pressure Test

Following backfill of the trench, the Owner shall perform an air test in the presence of District inspector. The air test shall be performed as follows:

6.03.2.1.1 Cleanouts

New Construction or Replacement - Standard cleanouts shall be installed to grade at a point five (5) feet outside of all structure foundations and double wye cleanouts (see Figure 5.02) shall be installed within five (5) feet of the property line, on the Owner's side.

Existing House Service Sewers - Owner may need to have line visually inspected by an outside contractor to determine location of existing cleanouts. Standard cleanouts are allowed on existing property line cleanouts. New cleanouts must be installed for testing if cleanouts cannot be located. New cleanouts installed at the property line must be double wye cleanouts (see Figure 5.02).

6.03.2.1.2 Test Plug

Cleanout to Cleanout - An air test plug shall be placed within the foundation cleanout and another within the property line cleanout, isolating the house service sewer.

Cleanout to Manhole - Test plug may be inserted in District manhole in lieu of property line cleanout if the lateral directly enters the manhole and the overall length of the house service sewer and the lateral is 100 feet or less. When testing from a District manhole, conformance with the Construction Safety Orders for confined space entry as issued by the Division of Industrial Safety is required. A separate permit for testing from a District manhole must be obtained from the District prior to the test.

6.03.2.2 Pressure

The line shall be pressurized to 3.5 psi and shall hold that pressure for five (5) minutes. A loss of 0.5 psi or less shall be considered acceptable. If the loss exceeds 0.5 psi, the test may be repeated once. A second loss of pressure constitutes failure of the pipeline. (Refer to Section 6.03.1.5.1.)

6.03.2.3 Release of Test Air

The air used to pressurize the air test shall be released in the presence and at the direction of the District inspector after the completion of the test. This shall be done with the air filler tube at the air test gauge. Test plugs shall not be pulled until the District inspector gives the instruction to do so. Note: Test plugs should never be pulled until the pressure on the test gauge has dropped below one (1) psi to avoid shock damage to the line.

6.03.3.1 Water Pressure Test

Following backfill of the trench, the Owner shall perform a water pressure test in the presence of a District inspector. The water pressure test shall be performed as follows:

6.03.3.1.1 Cleanouts

New Construction or Replacement - Standard cleanouts shall be installed to grade at a point five (5) feet outside of all structure foundations and double-wye cleanouts (see Figure 5.02) shall be installed within five (5) feet of the property line, on the Owner's side, in accordance with Section 5.03.2.4.

Existing House Service Sewers - Owner may need to have line visually inspected by an outside contractor to determine location of existing cleanouts. Standard cleanouts are allowed on existing property line cleanouts. If cleanouts cannot be located, new

cleanouts must be installed for testing. If a new cleanout is installed at the property line, it must be a double-wye cleanout (see Figure 5.02).

6.03.3.1.2 Test Plug

Cleanout to Cleanout - An isolation plug shall be placed within the foundation cleanout and another within the property line cleanout, isolating the house service sewer.

Cleanout to Manhole – An isolation plug may be inserted in District manhole in lieu of property line cleanout if the lateral directly enters the manhole and the overall distance of the house service sewer and lateral is 100 feet or less. When testing from a District manhole, conformance with the Construction Safety Orders for confined space entry as issued by the Division of Industrial Safety is required. A separate permit for testing from a District manhole must be obtained from the District prior to the test.

6.03.3.1.3 Cross-Connection Prevention

If test water is acquired from a domestic water source an air gap or some type of backflow protection approved by the AWWA and the water purveyor shall be required.

6.03.3.1.4 Pressure

The line shall be pressurized to 3.5 psi and shall hold that pressure for five (5) minutes. Required test pressure of 3.5 psi can be achieved by placing a pipe extension into the cleanout riser of the foundation cleanout and filling the pipe section to be tested with water. Clean water containing no dirt or debris must be used. A minimum of eight (8) feet of water head measured from the invert of the sewer line at the foundation cleanout to the top of the column of water located in the pipe extension is required (use pipe extension only if necessary). In no case shall the vertical distance measured from the lowest point of the pipeline section being tested to the surface of the water located in the pipe extension at the foundation cleanout exceed 15 feet. Additional cleanouts may have to be installed in steep or extremely long pipelines with each section of pipeline being tested individually.

The pipeline shall be allowed a maximum loss of one (1) inch of water level in five (5) minutes for a four (4) inch or six (6) inch pipeline per 100 feet of pipe length. If the loss exceeds one (1) inch of water, the test may be repeated once only if the second test can be completed within the allotted time of the scheduled inspection.

A second loss of pressure constitutes failure of the pipeline. See Section 6.03.1.5.1.

6.03.3.1.5 Release of Test Water

The water used in the test shall be released in the presence and at the direction of the District inspector after the completion of the test. This shall be done by releasing the test plug located at the downstream cleanout if tested in sections, or at the property line cleanout when the whole line is tested or when last test section is completed.

6.03.4 Test Methods: Individual Pressure Service

6.03.3.2 Air Pressure Test

Following backfill of the trench, the Owner shall perform an air test in the presence of a District inspector. If there is also a gravity flow line on any part of the service, it shall be tested by the same method used for a standard gravity flow line, in accordance with Section 6.03.2.

The air test shall be performed as follows:

6.03.4.1.1 Cleanouts

There shall be no cleanouts located on the pressure system. If the pressure system transitions inside of the building a standard cleanout shall be located on the gravity system leaving the structure within five (5) feet of the foundation. A double-wye cleanout (see Figure 5.02) shall be located at the property line only if the pressure line has transitioned to gravity at or prior to the property line.

Owner may need to retain a contractor to determine location of existing cleanouts on the gravity flow line. If cleanouts cannot be located, new cleanouts must be installed for testing.

6.03.4.1.2 Pressure Line Drained

The pressure line shall be drained and free of any liquids or solids prior to beginning the test.

6.03.4.1.3 Test Plug

An air test plug shall be placed within the transition thrust block/siphon break cleanout and tested against the check valve at the pump, isolating the house service sewer. The isolation valve must be fully open for the pressure test. Dual pump systems must be tested against both check valves simultaneously.

6.03.4.1.4 Pressure

The line shall be pressurized with air to ten (10) psi and shall hold that pressure for ten (10) minutes. There shall be no detectable pressure loss. If any loss is detected, the test may be repeated once. A second loss of pressure constitutes failure of the pipeline and/or check valves. See Section 6.03.1.5.1.

6.03.4.2 Alarm Test

The alarm shall be tested for operation at the high level mark.

6.03.4.3 Float Control Test

The on/off function of the pump shall be tested by either filling the wet well with water or by manually tipping the floats. Where dual pump systems are installed, the on/off function of each pump shall be tested.

6.03.4.4 Pump Output Test

The pump(s) shall be tested by filling the wet well and running each pump individually until stopped by the off control float. This test shall also be used to detect any leaks in the discharge piping prior to the check valve.

6.03.4.5 Wet Well Integrity Test

The external seals and gaskets located on the wet well lid and any inlet and vent piping shall be inspected for proper fit, tightness and leakage. All vent lines, discharge piping, drain lines, check valves and gate valves shall be visually inspected for proper size, leakage and orientation. Check valves must be installed per manufacturers specifications.

6.03.4.6 Panel Test

The panel shall be inspected to ensure that it is located within the main living area and is accessible. All switches, control devices and indicators shall be inspected to ensure they are functioning properly.

6.03.4.7 Water Pressure Test – Not Allowed

Water pressure testing is not allowed for pressurized house service sewers.

6.03.5 Pressure Tests of Grease Interceptors, Sand-Oil Interceptor and Sample Ports

Testing interceptors and sample ports shall be accomplished by either water testing or vacuum testing, as described below. Vacuum testing is not recommended for existing interceptors.

6.03.5.1 Water Pressure Test

6.03.5.1.1 Test Conditions

New interceptors shall be backfilled to within twelve (12) inches of the top of the interceptor prior to water testing. The lid seal, inlet and outlet piping shall remain exposed during the test.

6.03.5.1.2 Test Method

Plug Inlet and Outlet -Water test by plugging all inlet and outlet pipes and filling the test section with water to the top of the frame rim. Contractor shall repair all visible leaks prior to proceeding, at the direction of a District inspector.

Introduce Water - The water should be introduced into the test section at least four (4) hours in advance of the official test period to allow the concrete and joint material to become saturated.

Refill - The test section shall then be refilled to the original water level.

Measure the water level – first measure At the beginning of the test, the level of the water in the test section shall be carefully measured by a District inspector from a point on the frame rim.

Measure the water level – second measure - After a period of four (4) hours, the water level shall be measured from the same point on the frame rim and the loss of water during the test period calculated. If this calculation is difficult, enough water shall be measured into the test section at the direction of a District inspector to restore the water to the level existing at the beginning of the test, and the amount added taken as the total leakage.

6.03.5.1.3 Allowable Leakage - The allowable leakage shall not exceed 0.13 gallons per hour. Grease interceptors and sand-oil Interceptors showing leakage in excess of that allowed shall be repaired or reconstructed as necessary to reduce the leakage to that specified.

6.03.5.1.4 Failures Retested - All failures shall be retested after the necessary repairs have been completed.

6.03.5.2 Vacuum Test

Vacuum test equipment shall be provided by the owner and used per the manufacturers specifications. A vacuum test shall be accomplished by using acceptable equipment approved by the District, in accordance with the following:

6.03.5.2.1 Testing Conditions – Vacuum testing of existing interceptors is not recommended. New interceptors shall not be backfilled prior to vacuum testing.

6.03.5.2.2 Test Gauge

Test gauge shall read in 1/10-inch_of mercury (Hg) vacuum increments and have a range not greater than thirty (30) inches of mercury (Hg) vacuum. Combination gauges that meet these requirements are acceptable. Gauge must be accessible to Inspector without trench entry.

6.03.5.2.3 Test Method

Vacuum Drawn - A vacuum of four (4) inches mercury (Hg) shall be drawn on grease interceptors, sand-oil interceptors and precast sample ports.

Measure Time - The time, in seconds, for the vacuum to drop to three and one-half (3.5) inches of mercury (Hg) shall be witnessed by a District inspector.

6.03.5.2.4 Allowable Loss - The allowable leakage shall not exceed the times listed below:

<u>Time (seconds)</u>	<u>Interceptor Size (gallons)</u>
120	100 to 2,499
180	2,500 to 4,999
240	5,000 and greater

Grease interceptors, and sand-oil interceptors showing a loss in excess of that allowed shall be repaired or reconstructed as necessary to reduce the loss to that specified.

6.03.5.2.5 Failures Retested - All failures shall be retested after the necessary repairs have been completed.

- Intentionally Left Blank -

SECTION 7
DISCHARGES INTO SEWER SYSTEM

7.01 TEMPORARY DISCHARGE PERMIT

No person shall discharge any substance into District sewer system without first applying for a permit from the District, as provided for in Application and Permit for Temporary Discharge into District Sewer System, Exhibit 7.01.

7.01.1 Deposit

The applicant shall pay an application fee, a cash deposit based upon the total estimated discharge, in gallons, and a security deposit in the form of a cashier's check payable to the District, and. Deposits and fees are in accordance with Exhibit 10.01.

7.02 SWIMMING POOL AND SPA DISCHARGE

7.02.1 Notice of Discharge – Swimming Pool

The Owner shall provide 48 hours notice to the District when pools will be pumped into the collection system. The District shall inspect the system upon discharge. No fee will be charged for a discharge permit. All swimming pools and commercial spas shall be subject to connection fees and sewer service charges in accordance with Exhibit 10.01.

7.02.2 Backwash Filter Wastes

Backwash filter wastes shall be connected to the sewer in such a manner as to preclude unauthorized liquids from entering the sewer. In all cases the waste drains shall be located six (6) inches above surrounding flood grade. Plans shall be submitted to and approved by the District prior to construction.

A backflow prevention assembly, approved by the water service agency, shall be installed by Owner to protect the public or private water supply serving backwash systems.

7.03 DISCHARGE PROHIBITIONS

7.03.1 Septic Tank, Cesspool and Holding Tank Waste Discharge Prohibited

Disposal of residential, septic tank, cesspool, holding tank wastes or other discharges into the District sewer system is prohibited. Permission may be given in case of extenuating circumstances when the District deems it necessary to allow disposal of said materials. Construction site or other discharges shall be accomplished in conformance with the requirements of Exhibit 7.01.

7.03.2 Rain, Surface and Groundwater Drainage Prohibited

No person shall discharge any water into the District sewer system that is, or can be made suitable for discharge into an alternate disposal system not connected to District sewer collection system, such as a storm drain or infiltration disposal facility.

No sump pump, runoff pool, receptacle, drainage area or roof which receives or disposes of rain, surface or groundwater or snow melt shall be connected to the District wastewater collection system.

7.03.3 Bleeder Lines Prohibited

No person shall run bleeder lines or allow any plumbing fixtures of any kind or sort to bleed water into the sewer, nor shall any person introduce any excess water into District sewer collection and transmission facilities from any source.

7.03.4 Miscellaneous Discharges Prohibited

No person shall discharge or cause to be discharged to the District sewer system any of the following waste, water, effluent or substances or materials:

- a. Toxic or Poisonous Waste - Water or waste containing toxic or poisonous solids, liquids or gases in sufficient quantity either singly or by interaction with other wastes or waters to injure or interfere with the sewage treatment process, constitutes a hazard to humans or animals, creates a public nuisance, or creates any hazard in the receiving waters of the sewage treatment plant, including but not limited to cyanides in excess of two (2) mg/l as Cn in the wastes as discharged.
- b. Potential to Harm Sewers, People or Property - Such wastes that appear likely in the opinion of the General Manager to be capable of harming either the sewers, sewage treatment process or equipment or have an adverse affect thereon, or can otherwise endanger life, limb or public property or constitute a nuisance, giving consideration to such factors as quantity of such waste in relation to flows and velocities, materials of construction of sewers, the sewage treatment process, capacity of sewer lines and plant, degree of treatability and other pertinent factors.
- c. Temperature Consideration - Any liquid or vapor having a temperature higher than 150 degrees F.
- d. No Fats, Wax, Grease, or Oils - Any water or waste containing fats, wax, grease or oils, whether emulsified or not, or substances that may solidify or become viscous at temperatures between thirty-two (32) degrees and one hundred fifty (150) degrees F, in excess of (400) mg/l, in accordance with Section 8.00.
- e. Flammable or Explosive Liquid or Gas - Gasoline, benzene, naphtha, fuel, oil, or other flammable or explosive liquid or solid or gas.
- f. Unshredded Garbage - For residential services, any garbage that has not been properly shredded to such a degree that each particle can be carried freely under the flow condition normally prevailing in the sewer. Garbage disposals may not be connected to the sewer collection system in commercial food service establishments.
- g. Suspended Solids - Any water or waste containing suspended solids of such character and quantity that unusual attention or expense is required to handle the water or waste at the sewage treatment plant.
- h. Solid or Viscous Substances Adversely Impacting Operations
Ash, cinder, sand, mud, rock, straw, shaving, metal, glass, rag, feather, tar, plastic, wood, paunch manure, or other solid or viscous substance that could obstruct the sewer flow or cause interference with or damage to the proper operation of the sewer system and treatment facilities.
- i. Corrosive Properties or pH Values - Any water or waste having a pH value lower than 5.5 or higher than 9.0 or other corrosive properties

- capable of causing damage or hazard to persons or property or the proper operation of the sewer system and treatment facilities.
- j. Public Nuisance - Any noxious or malodorous gas or substance capable of creating a public nuisance.
 - k. Objectionable Waters or Wastes - Any waters or wastes containing iron, chromium, copper, zinc or similar objectionable or toxic substance, or wastes exerting an excessive chlorine requirement, and such degree that any such material in the composite sewage exceeds the limits established by the District therefore.
 - l. Radioactive - Any radioactive materials.
 - m. Loading Impact - Any unusual biological oxygen demand, chemical oxygen demand, or chlorine demand in such quantities as to constitute a significant load on District sewer system or regional treatment facilities.
 - n. Substances Not Amenable to Treatment - Other waters or wastes containing substances that are not amenable to treatment by the treatment processes employed at the regional plant or are amenable to treatment only to such degree that the regional treatment plant effluent cannot meet the requirements of other agencies having jurisdiction over discharge to the receiving waters.

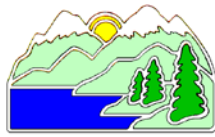
7.03.4.1 District's Options related to Discharge

The District may, following a proposal to discharge any waters or wastes to the District sewer system that contain the substances or characteristics set forth above:

- a. Reject the water.
- b. Require pretreatment to an acceptable condition.
- c. Require control over quantities and rates of discharge.
- d. Require payment to cover added costs of handling and treating such wastes.

7.04 PREMISES ACCESSIBLE

The District, its General Manager or duly authorized employees, bearing proper identification, shall be permitted to enter upon all premises and properties for the purpose of inspection, observation, measurement, sampling and testing in accordance with the provisions of this section.



Tahoe City Public Utility District
P.O. Box 5249 • Tahoe City, CA 96145
Ph: 530-583-3796 • Fax: 530-583-1475

APPLICATION AND PERMIT FOR TEMPORARY DISCHARGE INTO DISTRICT SEWER SYSTEM
(Applicant must contact Tahoe-Truckee Sanitation Agency 530-587-2525 for approval & permit prior to application)

USER/COMPANY NAME: _____

USER ADDRESS/PHONE : _____

LOCATION OF PROJECT: _____

LOCATION OF MANHOLE(S) TO BE USED: _____

TYPE OF DISCHARGE: _____

DESIRED RATE OF DISCHARGE (see #2): _____

DURATION OF DISCHARGE: _____

ESTIMATED DATE OF DISCHARGE: _____

BILLING NAME & PHONE: _____
(If different from User Name above)

BILLING ADDRESS: _____

District Rules & Regulations covering discharges into sewer system

Applicant or user must have a copy of the permit in his/her possession at all times when discharging into sewer system. Applicant and user agree to abide by District ordinances, rules, and regulations pertaining to the use of the sewer system, and to accept liability for damage to sewer system facilities, and violation of regulatory agency rules, regulations, and actions caused by their negligence or failure to abide by District ordinances, rules, and regulations. No person shall discharge water or any substance into the District sewer system without completing the following:

1. Paying a non-refundable permit fee of \$41.00.
2. Making application and obtaining a permit for discharge into sewer system. At the time of application, applicant or user shall post a \$475.00 security deposit in the form of a cashiers check payable to Tahoe City Public Utility District. The deposit shall be refunded upon completion of use, and after determination has been made as to volume and number of pumping lifts involved with the discharge.
3. Applicant or user shall provide District with an estimate of gallons to be discharged and pay District the rate per gallons estimated at the time of application or \$60.00 usage deposit whichever is greater. The District shall be paid at the rate in effect at the time of service in accordance with Exhibit A. This rate is subject to change, from time to time, as the District adopts ordinance changes. In the event the number of gallons discharged exceeds the estimated gallons paid at the time of application, applicant or user shall pay the balance due District upon completion of use. The District reserves the right to deduct the cost of discharge from the deposit, if necessary.

RULES, REGULATIONS, AND PROCEDURES

1. No discharge shall take place until all equipment has been approved at the site by the District Inspector.
2. The maximum discharge rate shall be determined by the District at the time of application. The District reserves the right to modify the discharge rates at any time prior to and during discharge based on the condition, location, and size of the sewer collection system.
3. Discharge must be accomplished by pump, hose, and a longitudinal settling box between the pump and manhole, as shown on the schematic herein of this permit, size to be determined by maximum discharge allowed. Applicant or user shall not exceed the maximum discharge per cubic feet, (gallons per minute).
4. Applicant or user shall **notify District twenty-four (24) hours in advance**, prior to discharge, at which time an inspection appointment will be set.
5. Discharge into District’s sewer system shall be solely at the discretion of the District and may be terminated at any time.
6. There shall be no discharge of poisonous solids, liquids, gases, gasoline, benzine, naphtha, fuel, oil, ash, cinder, sand, mud, rock, straw, metal, glass, rag, feather, tar, plastic, wood, paunch manure, waters or wastes containing iron, chromium, copper, zinc, radio-active materials, any unusual BOD, chemical oxygen demand or chlorine requirements in such quantities as to constitute a significant load on District sewer system, or other solid or viscous substance which could obstruct the sewer flow, or any water or waste having a pH lower than 5.5 or higher than 9.0, as provided for in Section XIII of the District Sewer Ordinance.

Accepted: _____ Date: _____
Applicant/User

_____ Date: _____
TCPUD Authorized Representative

- Intentionally Left Blank -

FATS, OILS AND GREASE CONTROL

8.01 FATS, OILS AND GREASE CONTROL, GENERAL

The goal of the Fats, Oils and Grease Control section of this Ordinance is to stop sanitary system overflow and reduce grease accumulation in the sanitary sewer mains resulting from the introduction of fats, oils and grease by food service establishments (FSEs.) The Tahoe City Public Utility District (District) follows the requirements of the California Plumbing Code (CPC,) as it relates to grease control, and acts as the Administrative Agency as identified in the CPC, in enforcing grease control measures.

Any nonresidential facility involved in the manufacture, preparation or serving of foods that is connected to the sanitary sewer collection and treatment system shall follow the requirements within this Section. This section addresses all general grease control requirements. Specific maintenance requirements for grease interceptors shall be found in Exhibit 8.01A while maintenance requirements for grease traps shall be found in Exhibit 8.01B.

8.02 FOOD SERVICE ESTABLISHMENT WASTEWATER DISCHARGE LICENSE

A license is required for all businesses and individuals who operate or intend to operate a FSE and/or industrial-commercial food manufacturing facility within the District. These facilities include, but are not limited to:

Restaurants, delicatessens, coffee shops, bakeries, drive-in, fast-food, take-out, doughnut shops, hospitals, markets, schools, churches, motels/hotels, recreation or reception halls and conference centers.

If the licensee is not the Property Owner, the Property Owner must also enter into the license agreement and agree to the terms and conditions identified herein. Property Owner accepts responsibility for actions of all FSEs as their actions relate to the control of fats, oils and grease.

Food Service Establishment Wastewater Discharge Licenses are issued for specific use for a specific operation. Any sale, lease, transfer or assignment of the premises or operation for which the license was issued shall require a new license to be issued. A standard License form is attached as Exhibit "8.02."

8.02.1 Benefits of FSE License

A FSE license will define the type of establishment that may discharge grease into the sanitary sewer system. The license will be used to determine what method of grease control may be needed. The Food Service Establishment License will allow the District to:

- a. Determine the grease control needs specific to each food service establishment
- b. Provide the FSE with guidance on grease control methods
- c. Help FSEs improve kitchen best management practices
- d. Help FSEs meet the discharge requirements
- e. Ensure compliance with the California Plumbing Code

As a part of the licensing process, the District will perform one visual inspection of the FSE's business sewer service lateral per year via closed-circuit television, to identify whether excess grease is entering the sewer lateral from the FSE.

8.02.2 Renewal and Fees

Food Service Establishment Wastewater Discharge Licenses must be renewed annually. The annual license fee is identified in the Exhibit 10.01.

8.03 GREASE DISCHARGE LIMITATIONS

Wastewater discharge concentration entering the public sanitary sewer system shall not exceed 400 milligrams per liter of grease, as defined by EPA test method 1664A.

8.03.1 Grease Control Required to Meet Discharge Limitations

In order to meet the wastewater discharge limitations identified in §8.02 and as required by Tahoe Truckee Sanitation Agency, some form of grease control is required at all FSEs. All FSEs must comply with kitchen best management practices (BMPs) as a first measure to control grease.

8.03.1.1 New or Remodeled Establishments

An appropriately sized grease interceptor, as specified by Chapter 10 of the CPC and as described in Exhibit 8-A, must be installed at all new or remodeled commercial establishments serving food and any industrial-commercial facility where any grease or other objectionable material that may be discharged into a public or private sanitary sewer system. A variance from the requirement to install a grease interceptor may be granted in accordance with §8.06. A variance may allow for the installation or continued operation of a grease trap or mechanical grease trap, as described in Exhibit 8-B.

8.03.1.2 Existing Establishments

If weather conditions and Tahoe Regional Planning Agency regulations permit, existing establishments described in this Section must install a grease interceptor (or trap, if a variance is granted,) within the 180-day period after the first occurrence of any of the following events:

- a. Transfer of Ownership** – When ownership or ownership interest in the parcel, facility or business is transferred.
- b. County Building Permit** – When the County issues a building permit for construction, reconstruction or related work on the premise. The District will determine the appropriate FOG requirements based upon the application for service.

If weather conditions and Tahoe Regional Planning Agency regulations permit, existing establishments described in this Section must install a grease interceptor (or trap, if a variance is granted,) within the 60-day period after the first occurrence of any of the following events:

- a. Wastewater Backup or Discharge** - The backup or discharge of wastewater on or from the premises due to grease build-up within the building plumbing, building sewer service lateral or within District facilities if caused by discharge from the premises.

- b. **Discharge Exceeds Limits** - Where discharge samples indicate that the discharge exceeds the limits allowed by this Ordinance on three occasions within a twelve month period; or
- c. **Written Notice from District** - After receiving written notice from the District of the necessity for installation of such facilities.

8.04 ADMINISTRATIVE ACTION FOR NONCOMPLIANCE AND SEWAGE BACKUP

FSEs who do not comply with the District and CPC regulations related to the control of fats, oils and grease shall be subject to administrative action. This may include, but not be limited to, the assessment of fees for investigation and follow up action in accordance with Exhibit 10.01.

Where a sewage backup occurs as a result of FSE's discharge, all associated cleanup costs and fines incurred by the District or others from regulatory agencies shall be billed to the Owner.

8.05 DESIGN, CONSTRUCTION & INSTALLATION OF GREASE CONTROL SYSTEMS

8.05.1 General

Grease control facilities must be designed, constructed and installed at the expense of the FSE/Owner. The FSE/Owner must have a California licensed engineer design the grease control system for the project. The proposed plans must be submitted to the District for review, accompanied by the engineer's calculations and the District's standard application form.

The size, type and location of each grease interceptor, trap or alternative pretreatment method shall be approved by the District.

8.05.2 Codes Followed

Material for and methods of construction of grease control systems must be in accordance with the requirements of the most recent edition of the California Plumbing Code, the codes of the State of California, regulations of the Counties of Placer or El Dorado, and Ordinances and Construction Standards of the Tahoe City Public Utility District.

8.05.3 Type of Grease Control Method

The type of grease control method employed by a FSE will be based upon the method identified in Chapter 10 of the CPC.

8.05.4 Grease Interceptor or Grease Trap Design Specifications

Details on the design, construction, installation and testing of grease interceptors are located in Exhibit 8-A. Details on grease traps or mechanical grease traps are located in Exhibit 8-B.

8.05.5 Sample Ports

Within 180 days of the adoption of this Ordinance all existing food service facilities shall be required to install a sample port. Details on the sample port design and location can be found on Figures 8.01 and 8.02.

additional sample ports may be required on the sewer service lateral at facilities where the District suspects, through inspection or other cause, that grease is entering the District's sewer collection system.

District personnel may at anytime acquire a sample from the discharge sample port. Sample ports must be kept accessible at all times.

8.06 EXCLUSIONS

8.06.1 Food Waste Disposal Grinders (Garbage Disposals)

8.06.1.1 New FSEs

Upon the effective date of this Ordinance, no new food waste disposal grinders shall be installed within facilities subject to this Section that may discharge into the District's sanitary sewer system.

8.06.1.2 Existing FSEs with Grease Interceptor

FSEs with existing grease interceptors must remove the food waste disposal grinders from discharge into the District's sanitary sewer system within 1 year from the effective date of this Ordinance.

8.06.1.3 Existing FSEs with Grease Trap, Alternative Control or No Control

FSEs with existing grease traps, alternative pretreatment methods or no pretreatment devices must remove their food waste disposal grinders from discharge into the District's sanitary sewer system within 60 days from the effective date of this Ordinance.

8.06.2 Chemical and Biological Agents

The use of chemical and / or biological agents that could be used to dissolve fats, oils and grease are not allowed.

8.07 VARIANCE FROM GREASE INTERCEPTOR REQUIREMENTS

8.07.1 Waiver Based on Visual Inspection

Based upon the annual visual inspection of the building sewer lateral by way of closed circuit television camera, the District may grant a waiver of the requirements to install a grease interceptor for a period of up to one year. An inspection must reveal that there is another form of grease control in place that is being adequately maintained and that kitchen best management practices (BMPs) are being adhered to, and that discharge requirements are being met. The waiver may be renewed annually.

8.07.2 Waiver based on Alternative Control

The District may authorize the installation of an indoor grease trap or other alternative pretreatment technology in lieu of a grease interceptor. The FSE bears the burden of demonstrating that the installation of a grease interceptor is not feasible due to space constraints, plumbing requirements or other considerations. An engineer's wet stamped letter from the FSE stating the specific reasons that a grease interceptor is not feasible must be submitted with the request for a variance.

8.07.2.1 Space Constraints

Where properly documented space constraints or extensive remodeling is needed to correctly plumb for a grease interceptor, the District may consider an alternate method of grease control. In considering the waiver, the District will consider (1) the location of the sewer main and easement in relation to available exterior space outside building

and (2) The existing plumbing at or in a site that uses common plumbing for all services at that site. The applicant's engineer must certify that the alternate method is adequate by stamping the plans or providing a letter with his or her stamp approving the method.

8.07.2.2 Alternative Pretreatment

Alternative pretreatment technology includes, but is not limited to, devices that are used to trap, separate and hold grease from wastewater and prevent it from being discharged into the sanitary sewer collection system. All alternative pretreatment technology must be appropriately sized by the FSE/Owner and approved by the District. The applicant's engineer must certify that the alternate method is adequate by stamping the plans or providing a letter with his or her stamp approving the method. The applicant shall provide copies of the engineer's calculations.

8.08 MAINTENANCE

8.08.1 Maintenance, General

The FSE/Owner shall maintain grease interceptors and grease traps in an efficient operating condition by periodic removal and proper disposal of the accumulated grease. The District will work with each FSE to determine an appropriate schedule of grease removal. Maintenance requirements for grease interceptors are defined in Exhibit 8-A and for grease traps Exhibit 8-B.

8.09 INSPECTION

8.09.1 Building Service Lateral Televised Inspection

Visual inspections by way of closed-circuit television camera shall be required on all sewer service laterals exiting food service facilities on an annual basis and more frequently if deemed necessary by the District. The annual license fee shall cover the cost of one (1) annual inspection. If repeat inspections are required, they shall be charged at actual cost to the Owner.

8.09.2 Grease Interceptor and Grease Trap Inspections

The goal of the grease control program is to reduce the accumulation of grease in the sanitary sewer mains. Should the District's monitoring program indicate that grease control measures employed by a FSE are inadequate, either by way of visual inspection of the sewer lateral or through samples taken from the sample port, the FSE will be notified that they must review their kitchen practices to ensure that best management practices (BMPs) are being followed and that grease control facilities are being properly maintained. The District is available to work with the FSE to ensure that they will meet discharge limits.

To ensure that the FSE has resolved any problems and to achieve what is in the best interest of the FSE and the general public, the District will monitor these FSEs more frequently. If subsequent monitoring indicates that the problem persists and that grease continues to accumulate in the sewer lateral, the District will give written notice of non-compliance. Following notice of non-compliance, internal inspections may be made at anytime during normal business and maintenance hours.

District personnel may at anytime inspect external facilities.

8.09.3 Sample Port Inspections

The District will obtain random samples from sample ports for the purpose of determining whether a FSE is meeting discharge requirements. Samples may also be taken when conditions reveal that grease may be entering the District's collection system by way of the FSE's sewer service lateral. Initial samples will be analyzed at no charge to the FSE. Should the discharge exceed the limits prescribed herein, follow-up samples will be taken once corrective measures by the FSE are completed, in accordance with Section 8-AF.6 and 8-B.C.7, or as deemed necessary by the District, and all repeat analyses shall be billed to the FSE until the discharge limits are met.

Sample ports must remain accessible at all times.

8.10 ABANDONMENT

Abandoned grease interceptors shall be emptied and removed or filled in the same manner as required for abandoned septic tanks as described in Section 722.2 – 722.5 and Appendix K-11, CPC.

**Section 8
Fats, Oils and Grease Control****GREASE INTERCEPTORS**

A. GREASE CONTROL

The type of grease control method employed by a FSE will be based upon the method identified in Chapter 10 of the California Plumbing Code (CPC.)

B. USE OF GREASE INTERCEPTORS

Grease interceptors shall be required on all FSEs unless the District has granted a variance. A variance may be requested in accordance with §8.06. Where a variance has been granted, FSEs may choose to install a grease trap in place of a grease interceptor.

C. DESIGN**1. General**

Grease control facilities must be designed, constructed and installed at the expense of the FSE/Owner. The FSE/Owner must have a California licensed engineer design the grease control system for the project in accordance with the CPC and Figure 8-A1. The proposed plans must be submitted to the District for review, accompanied by the engineer's calculations and the District's standard application form.

The size, type and location of each grease interceptor shall be approved by the District

2. Codes Followed

Material for and methods of construction of grease control systems must be in accordance with the requirements of the most recent edition of the California Plumbing Code, the codes of the State of California, regulations of the Counties of Placer or El Dorado, and Ordinances and Construction Standards of the Tahoe City Public Utility District.

3. Single Facility Served

Grease interceptors installed for commercial facilities shall serve only one business establishment. Any exception to this requirement is at the discretion of the District.

4. Capacity

Grease interceptors shall be sized according to Appendix H of the CPC. Minimum capacity shall be 750 gallons. The FSE/Owner shall be responsible for providing stamped engineering capacity calculations and is responsible for appropriately sizing the grease interceptor.

5. Conflicts with Manufacturing Standards

Where manufacturer's minimum discharge or retention capacity specifications or standards differ from the standards included herein, the more stringent requirements shall prevail.

6. Location

Each grease interceptor shall be installed and connected to allow for easy access at all times for inspection, cleaning, and removal of the intercepted grease. A grease interceptor may not be installed in any part of a building where food is handled. Proper

location of the grease interceptor shall meet all CPC requirements and be approved by the District. It shall not be necessary to relocate existing interceptors provided they are accessible and being properly maintained.

7. Traffic Area

Interceptors located in vehicle traffic areas shall be capable of withstanding an H-20 axle load. The access port cover shall be at least ½ inch below finished grade and shall be capable of withstanding an H-20 axle load and shall be labeled "Sewer."

8. Plumbing

Each grease interceptor shall be plumbed so that only kitchen waste shall flow through the interceptor (See Figure 8.02.) Waste discharged into a grease interceptor shall not exceed 140°F (60°C). All other wastewater including fecal and non-fecal sources shall be plumbed downstream of the grease interceptor. Toilets, urinals and other fixtures containing fecal material may not flow through interceptors.

Interceptors shall be installed in such a manner that surface drainage may not enter. The waste shall enter the interceptor through the inlet pipe only.

Interceptors shall be designed so that they will not become air-bound. Except as otherwise provided, the cover and access ports shall be gas-tight. Each interceptor shall be properly vented, as required by Chapter 9, CPC.

9. Dishwashers

Dishwasher waste may be plumbed through a grease interceptor upon review and approval of the District. Discharge from the dishwasher may not exceed 140°F (60°C). The District may limit or prohibit the use of certain detergents, chemicals or defoaming agents used for washing or sanitizing.

10. Food Waste Disposal Grinders (Garbage Disposals)

Upon the effective date of this Ordinance, no new food waste disposal grinders shall be installed within facilities subject to this Section that may discharge into the District's sanitary sewer system.

Existing FSEs with grease interceptors must remove the food waste disposal grinders from discharge into the District's sanitary sewer system within 1 year from the effective date of this Ordinance.

11. Water Jacketed Installations

No water-jacketed grease interceptor shall be approved or installed.

12. Chemical and Biological Agents

The use of chemical and / or biological agents that could be used to dissolve fats, oils and grease are not allowed.

13. Discharge Sample Port

A sample port (see Figures 8.01 and 8-02,) shall be installed at the FSE/Owners' expense to ensure discharge limit compliance. Grease interceptor sample ports shall be located just downstream of the interceptor and upstream of the non-kitchen waste

flow tie-in. Sample ports shall be sized such that a sample may be taken at any time, under any flow conditions. A cleanout shall be installed immediately downstream of the sample port for cleaning purposes and to allow for the introduction of a closed-circuit camera into the sewer service lateral for visual inspections.

D. INSTALLATION

1. State Licensed Contractor

A California State licensed contractor shall be responsible for the performance of all work connected with the installation of grease interceptors and must be approved by the District prior to start of work. The FSE/Owner is required to provide the District with the name, address, and state license number of his contractor. The District shall not be responsible for work performed by the contractor.

2. Insurance Requirements

All contractors who work on sewer facilities within District boundaries must post a certificate of insurance with the District that shows property damage and public liability in an amount satisfactory to the District. The District must be shown as the certificate holder and as additional insured, entitled to defense, including District's officers, employees, representatives and agents. Contractors must also provide proof of worker's compensation insurance.

E. TESTING

Grease interceptors shall be tested for leakage at the time of installation, at the time of sale if not tested within five years of the date of close of escrow, and following repair or replacement. Testing shall be performed with water or by vacuum method. A District inspector must be present to witness the test.

1. Water Test

A water test shall be performed by plugging all inlet and outlet pipes and filling the test section with water to the top of the frame rim. The water should be introduced into the test section at least 4 hours in advance of the official test period to allow the concrete and joint material to become saturated. The test section shall then be refilled to the original water level.

At the beginning of the test, the elevation of the water in the test section shall be carefully measured from a point on the frame rim. After a period of 4 hours, the water elevation shall be measured from the same point on the frame rim and the loss of water during the test period calculated. If this calculation is difficult, enough water shall be measured into the test section to restore the water to the level existing at the beginning of the test, and the amount added taken as the total leakage.

The allowable leakage shall not exceed 0.13 gallons per hour. Grease Interceptors showing leakage in excess of that allowed shall be repaired or reconstructed as necessary to reduce the leakage to that specified. All failures shall be retested after the necessary repairs have been completed.

2. Vacuum Test

Vacuum Drawn - A vacuum of four (4) inches mercury (Hg) shall be drawn on grease interceptors and precast sample ports.

Measure Time - The time, in seconds, for the vacuum to drop to three and one-half (3.5) inches of mercury (Hg) shall be witnessed by a District inspector.

Allowable Loss - The allowable leakage shall not exceed the times listed below:

<u>Time (seconds)</u>	<u>Interceptor Size (gallons)</u>
120	100 to 2,499
180	2,500 to 4,999
240	5,000 and greater

Grease interceptors showing a loss in excess of that allowed shall be repaired or reconstructed as necessary to reduce the loss to that specified. All failures shall be retested after the necessary repairs have been completed.

F. MAINTENANCE OF GREASE INTERCEPTORS

1. Pumping and Hauling

Grease shall not be introduced into any drainage piping or public or private sanitary sewer facility. Grease from a grease interceptor shall be pumped and hauled by a District approved waste hauler. Pumped grease shall be hauled to a site or landfill facility designated to handle kitchen grease.

2. Cleaning Frequency

All grease interceptors shall be cleaned every 4 months, at a minimum, or when the floatable grease layer exceeds six inches (6") and or the settleable solids layer exceeds eight inches (8") in the primary interceptor compartment or when the total volume of captured grease and solid materials displaces more than 20% of the capacity of the primary interceptor compartment by a District approved dipping/sampling method. Interceptors that are undersized (existing) or are unable to meet the District's minimum discharge or retention capacity standards may require more frequent pumping.

3. Cleaning and Maintenance Log

The FSE shall post and maintain a current grease interceptor cleaning and maintenance log on the premises and shall have the log available for review by District personnel at all times. Receipts and bills of lading from the pumper/hauler and/or rendering service companies shall be retained for a minimum of 3 years.

4. Variance from Minimum Grease Removal Intervals

A FSE may apply for a variance from the minimum grease removal intervals cited herein if the FSE believes that it may achieve compliance with discharge requirements through less frequent cleaning and grease removal. Based upon review of best management practices, sampling and inspection, the District will make the determination if a variance may be granted. All costs associated with testing, sampling and inspection are the responsibility of the FSE.

5. Notification of Cleaning and Grease Removal

When the grease interceptor is being pumped and cleaned, a District inspector will witness the cleaning as an aide to the FSE, if the inspector is available. The FSE is asked to give as much advanced notice to the District as possible.

6. Malfunctioning Equipment

Grease reduction equipment that is either not functioning properly or has ceased to function must be reported to the District as soon as possible. Malfunctioning equipment may result in erroneous sample test results. Any grease interceptor that is not operating properly or does not meet the District's minimum discharge or retention capacity standards must be pumped or cleaned within five (5) working days or repaired within thirty (30) working days upon notice by the District, unless immediate cleaning and repair is necessary as determined by the District.

The District may issue an extension when a hardship is encountered with a repair or replacement.

G. INSPECTIONS

1. Grease Interceptor Inspections

District personnel will periodically inspect grease interceptors and food preparation areas. Internal inspections may be made at anytime during normal business and maintenance hours with or without prior notice. District personnel may at anytime inspect and obtain samples from external facilities.

H. ABANDONMENT

Abandoned grease interceptors shall be emptied and removed or filled in the same manner as required for abandoned septic tanks as described in Section 722.2 – 722.5 and Appendix K-11, CPC.

A. USE OF GREASE TRAPS

Grease traps, including both passive and automatic, shall be allowed when the District grants a variance from the requirement for a grease interceptor. A variance may be requested in accordance with §8.07. Where a variance has been granted, FSEs may choose to install a grease trap in place of a grease interceptor.

If the District determines that the grease trap is not providing adequate grease removal based upon sample collection and visual inspection, the District may rescind the variance and require the installation of a grease interceptor.

B. DESIGN**1. General**

Grease control facilities must be designed, constructed and installed at the expense of the FSE/Owner. The FSE/Owner must have a California licensed engineer design the grease control system for the project in accordance with the CPC. The proposed plans must be submitted to the District for review, accompanied by the engineer's calculations and the District's standard application form.

The size, type and location of each grease trap or alternative pretreatment method shall be approved by the District

2. Codes Followed

Material for and methods of construction of grease control systems must be in accordance with the requirements of the most recent edition of the California Plumbing Code, the codes of the State of California, regulations of the Counties of Placer or El Dorado, and Ordinances and Construction Standards of the Tahoe City Public Utility District.

3. Type of Grease Control Method

The type of grease control method employed by a FSE will be based upon the method identified in Chapter 10 of the CPC.

4. Single Facility Served

Grease traps installed for commercial facilities shall serve only one business establishment.

5. Capacity

Grease traps shall be sized according to the California Plumbing Code (CPC.) The grease retention capacity of the trap, expressed in pounds of grease, shall not be less than two times the approved rate of flow in gallons per minute.

6. Conflicts with Manufacturing Standards

Where manufacturer's minimum discharge or retention capacity specifications or standards differ from the standards included herein, the more stringent requirements shall prevail.

7. Location

Each grease trap shall be installed and connected to allow for easy access at all times for inspection, cleaning, and removal of the trapped grease. Proper location of the grease trap shall meet all CPC requirements and be approved by the District.

8. Flow Ratings

Grease traps shall be installed with a flow rate of between 20 gallons per minute and a maximum of 55 gallons per minute. Rate of flow shall not be less than 40 percent of the total capacity, in gallons, of fixtures discharging into the grease trap.

9. Flow Control Device

Each plumbing fixture or piece of equipment connected to a grease trap shall be provided with an approved type vented flow control or a restricting device installed in a readily accessible and visible location in the tailpiece of the drain outlet of each such fixture. All flow control devices shall be installed per Chapter 10 of the CPC.

Flow control devices shall be designed so that the flow through such device(s) shall at no time be greater than the rated capacity of the grease trap. No flow control device shall have adjustable or removable parts.

10. Fixtures

No more than four (4) separate fixtures shall be connected to or discharged into any one grease trap. For the purpose of this Section, the term "fixture" shall mean and include each plumbing fixture, appliance, apparatus or other equipment required to be connected to or discharged into a grease trap by any provision of this Section.

11. Fixtures Individually Trapped and Vented

Each fixture discharging into a grease trap shall be individually trapped and vented in an approved manner. An approved type grease trap may be used as a fixture trap for a single fixture when the horizontal distance between the fixture outlet and the grease trap does not exceed (4) feet and the vertical tailpipe or drain does not exceed 2-1/2 feet.

12. Water Seal

Each grease trap shall have an approved water seal of not less than 2 inches in depth or the diameter of its outlet, whichever is greater.

13. Dishwashers, Grease Traps and Alternative Pretreatment

Dishwasher waste may not be plumbed through a grease trap or alternative pretreatment method unless either method is specifically designed to work in conjunction with a specific dishwasher and is approved by the District. Discharge from the dishwasher may not exceed 140°F (60°C) or the design limit temperature set by the grease trap or alternative pretreatment method manufacturer, whichever is less. The District may limit or prohibit the use of certain detergents, chemicals or defoaming agents used for washing or sanitizing.

14. Food Waste Disposal Grinders (Garbage Disposals)

Upon the effective date of this Ordinance, no new food waste disposal grinders shall be installed within facilities subject to this Section that may discharge into the District's sanitary sewer system.

Existing FSEs with grease traps, alternative pretreatment methods or no pretreatment devices must remove their food waste disposal grinders from discharge into the District's sanitary sewer system within 60 days from the effective date of this Ordinance.

15. Water Jacketed Installations

No water-jacketed grease trap shall be approved or installed.

16. Chemical and Biological Agents

The use of chemical and / or biological agents that could be used to dissolve fats, oils and grease are not allowed.

17. Sample Port

A sample port (Figures 8.01 and 8.02) shall be installed at the FSE/Owner's expense to ensure discharge limit compliance. The sample port shall be located just outside of the building foundation and downstream of the foundation cleanout. Sample ports shall be sized such that a sample may be taken at any time, under any flow conditions. An additional sample port for grease traps may be located inside the facility only with prior authorization from the District.

C. MAINTENANCE OF GREASE TRAPS

1. Grease Disposal

Grease shall not be introduced into any drainage piping or public or private sanitary sewer facility. Grease from a grease trap shall not be disposed of into a rendering receptacle or container. Contact the District for proper grease trap disposal methods.

2. Cleaning and Maintenance Log

The FSE shall post and maintain a current grease trap cleaning and maintenance log on the premises and shall have the log available for review by District personnel at all times. Receipts and bills of lading from the disposal of grease shall be retained for a minimum of 3 years.

3. Passive Grease Traps

All passive grease traps shall be opened, inspected, cleaned and maintained a minimum of once per week (every 7 days) or when the total volume of captured grease and solid materials displaces more than 20% of the capacity of the trap. Grease traps that were undersized (existing) or are unable to meet the District's minimum discharge or retention capacity standards may have to be cleaned more frequently.

4. Automatic Grease Traps

Automatic grease traps shall be cleaned and maintained per manufacturer's specifications or a minimum of one time per week (every 7 days) or when the total volume of captured grease and solid materials displaces more than 20% of the capacity of the trap.

5. Alternative Pre-treatment Methods

Alternative pre-treatment methods shall be cleaned and maintained per manufacturer's specifications or minimum of one time per week (every 7 days).

6. Variance from Minimum Grease Removal Intervals

A FSE may apply for a variance from the minimum grease removal intervals cited herein if the FSE believes that it may achieve compliance with discharge requirements through less frequent cleaning and grease removal. Based upon review of best management practices, sampling and inspection, the District will make the determination if a variance may be granted. All costs associated with testing, sampling and inspection are the responsibility of the FSE.

7. Malfunctioning Equipment

Grease reduction equipment that is either not functioning properly or has ceased to function must be reported to the District as soon as possible. Malfunctioning equipment may result in erroneous sample results. Any grease trap (passive or automatic) or alternative pretreatment device that is not operating properly or does not meet the District's minimum discharge or retention capacity standards must be pumped or cleaned within two (2) working days or repaired within ten (10) working days upon notice by the District, unless immediate cleaning and repair is necessary as determined by the District.

The District may issue an extension when a hardship is encountered with a repair or replacement.

D. INSPECTIONS

1. Grease Trap Inspections

District personnel will periodically inspect grease traps and food preparation areas. Internal inspections may be made at anytime during normal business and maintenance hours with or without prior notice. District personnel may at anytime inspect and obtain samples from external facilities.

Tahoe City Public Utility District
Food Service Establishment Wastewater Discharge License

Food Service Establishment _____ License No. _____

Street Address _____

Assessor's Parcel Number _____

This License is issued pursuant to Section 8, TCPUD Sewer Ordinance 112. This license authorizes the discharge of wastewater effluent from a Food Service Establishment that is not controlled or specifically prohibited by the EPA or the State of California to be discharged into the District's sanitary sewer collection system, subject to the terms and conditions contained herein.

The Licensee shall be responsible for notifying the District of any changes in the factors that determine sizing of Grease Traps or Interceptors. This notification must be made prior to any alteration or replacement of the currently approved equipment.

Licensee _____
 Mailing Address _____

 Phone _____
 email _____

The effective date of this license is _____, and the license shall remain in effect for one year.

Conditions of License

1. Licensee shall comply with and shall be subject to all requirements, prohibitions, restrictions and enforcement provisions contained in the District's Sewer Ordinance, Section 8, as well as all other applicable requirements in the ordinance.
2. Licensee shall maintain the grease trap(s) and or interceptor(s) in proper working order at all times to ensure compliance with the discharge limits of 400 mg/l.
3. Licensee shall have the trap cleaned whenever needed to ensure proper operation. Licensee shall maintain a log showing the dates that the grease trap(s) and or interceptor(s) are being cleaned and shall maintain copies for a minimum of three (3) years.
4. At a minimum, District personnel shall take grab samples semiannually of the discharge at the sample port or at an appropriate point within the facility, after discharging from a grease trap.
5. Licensee shall notify the District if the grease trap(s) and or interceptor(s) are malfunctioning. They must thereafter be pumped or cleaned within 5 working days or repaired within 30 working days as directed by the District, in accordance with Exhibit 8-A (F.6).
6. Licensee shall repair, replace or increase the number or size of grease trap(s) and or interceptor(s) on-site or take whatever measures needed to achieve compliance with the specified limit of 400 mg/l for fats, oils and grease, if the discharge sample exceeds this amount.
7. District personnel may enter the premises during normal business or maintenance hours for the purpose of (a) inspecting Licensee's grease trap(s) and or interceptor(s) and any other facilities or processes which could adversely affect District's sanitary sewer system, (b) obtaining samples in order to ascertain compliance with the discharge limit of 400 mg/l, and (c) reviewing logs required by the terms of this license. District personnel may at any time inspect and obtain samples from external facilities.

8. The District may require the following, when deemed necessary by the District for the protection of the public sanitary sewer collection system, at Licensee's expense:
 - a. Additional testing of Licensee's discharge
 - b. Cleaning of Licensee's sand/oil interceptor(s); and/or
 - c. Any other action allowed by applicable law or regulation.

9. The Food Service Establishment Wastewater License fee(s) shall assessed per Exhibit 10.01 of District Ordinance 112.

10. Where the Licensee is not the owner of the property, the Owner shall execute this document and be bound by the terms and conditions contained herein and within Section 8 of the District's Sewer Ordinance.

A License fee of \$_____ was paid on this date _____ per Exhibit 10.01 of District Ordinance 112.

Dated: _____ By: _____
Licensee

Dated: _____ By: _____
Property Owner

Dated: _____ By: _____
Technical Services Supervisor

Dated: _____ By: _____
Director of Public Works

Figure 8.01

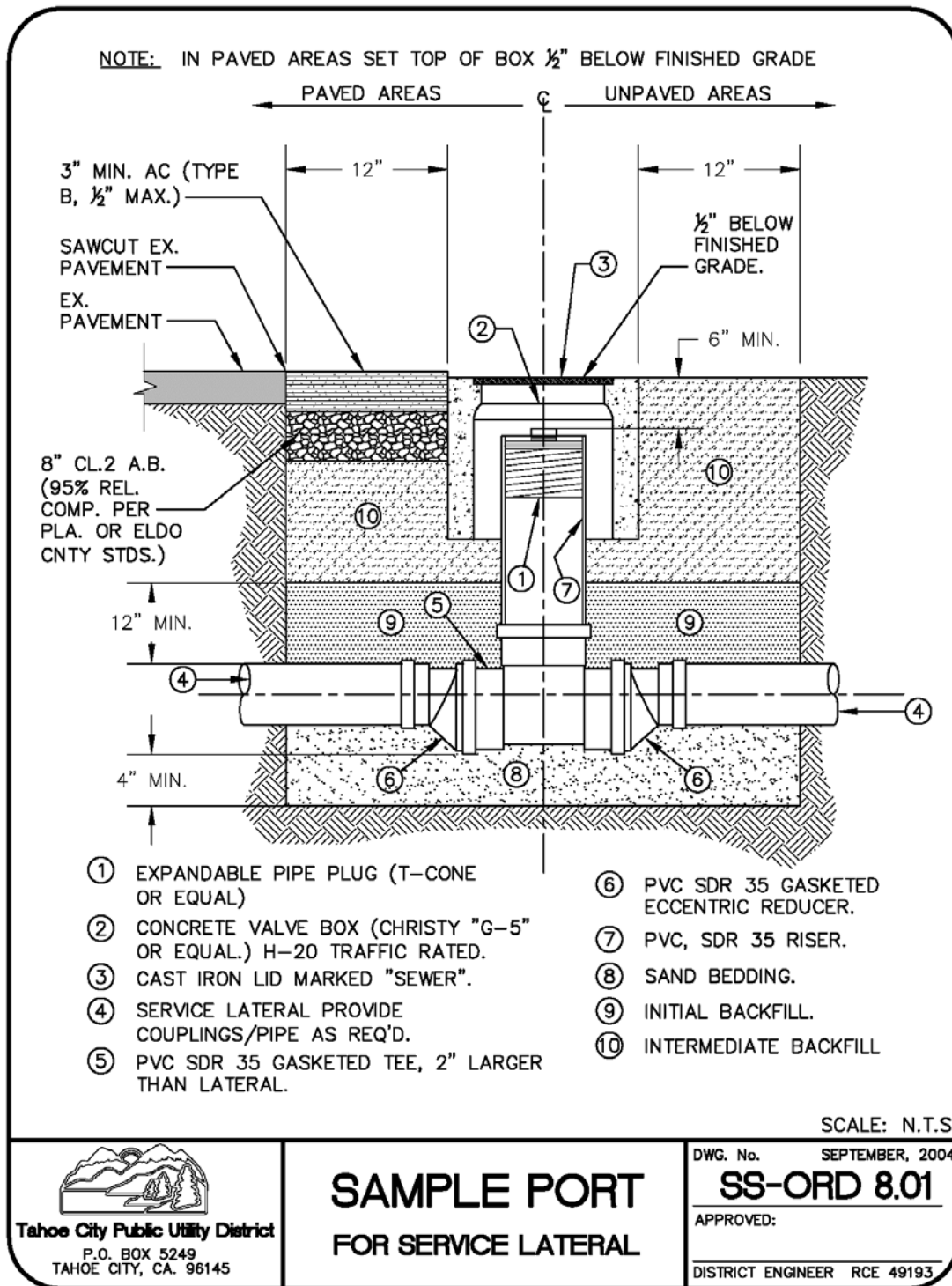


Figure 8.02

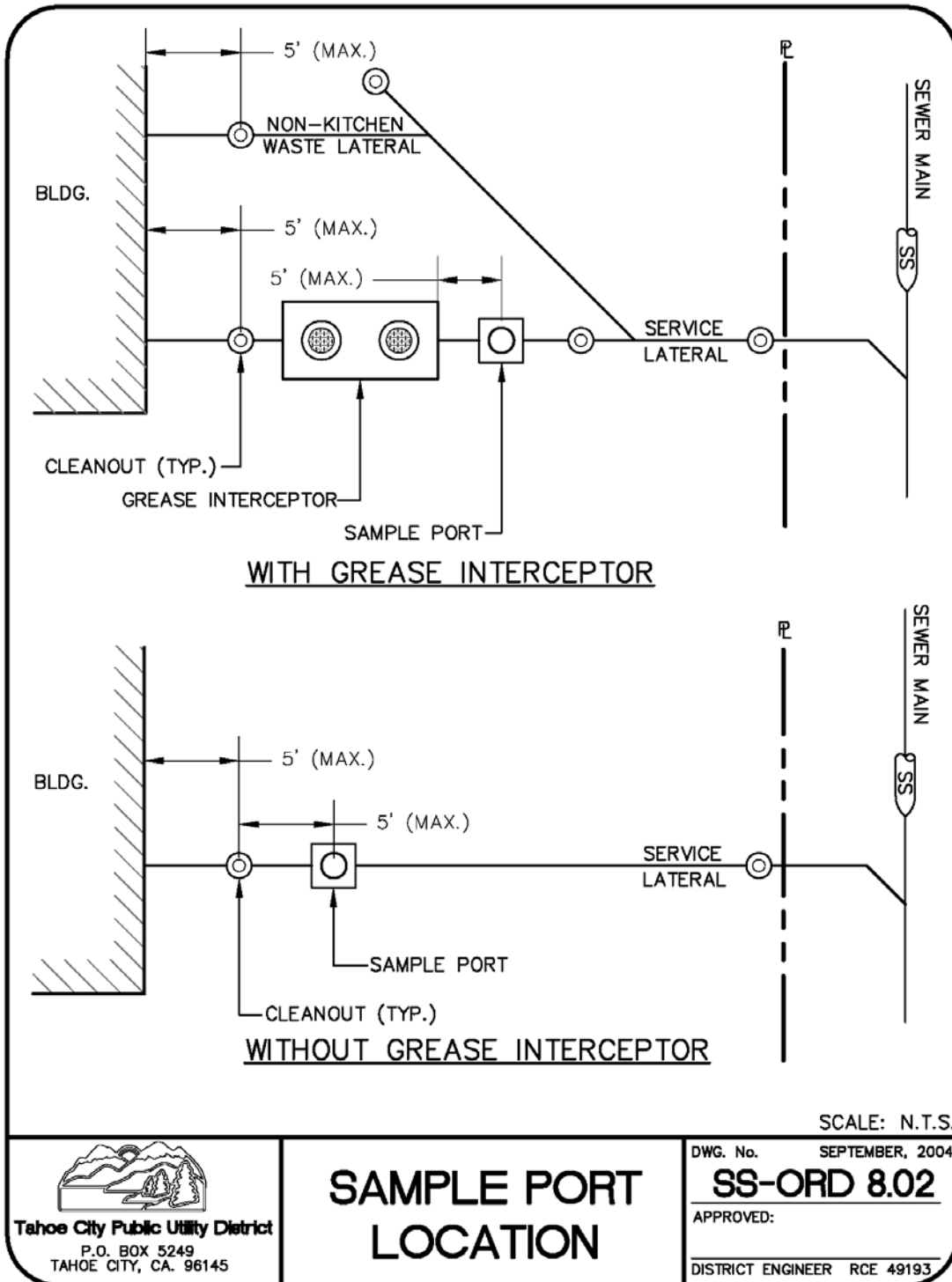
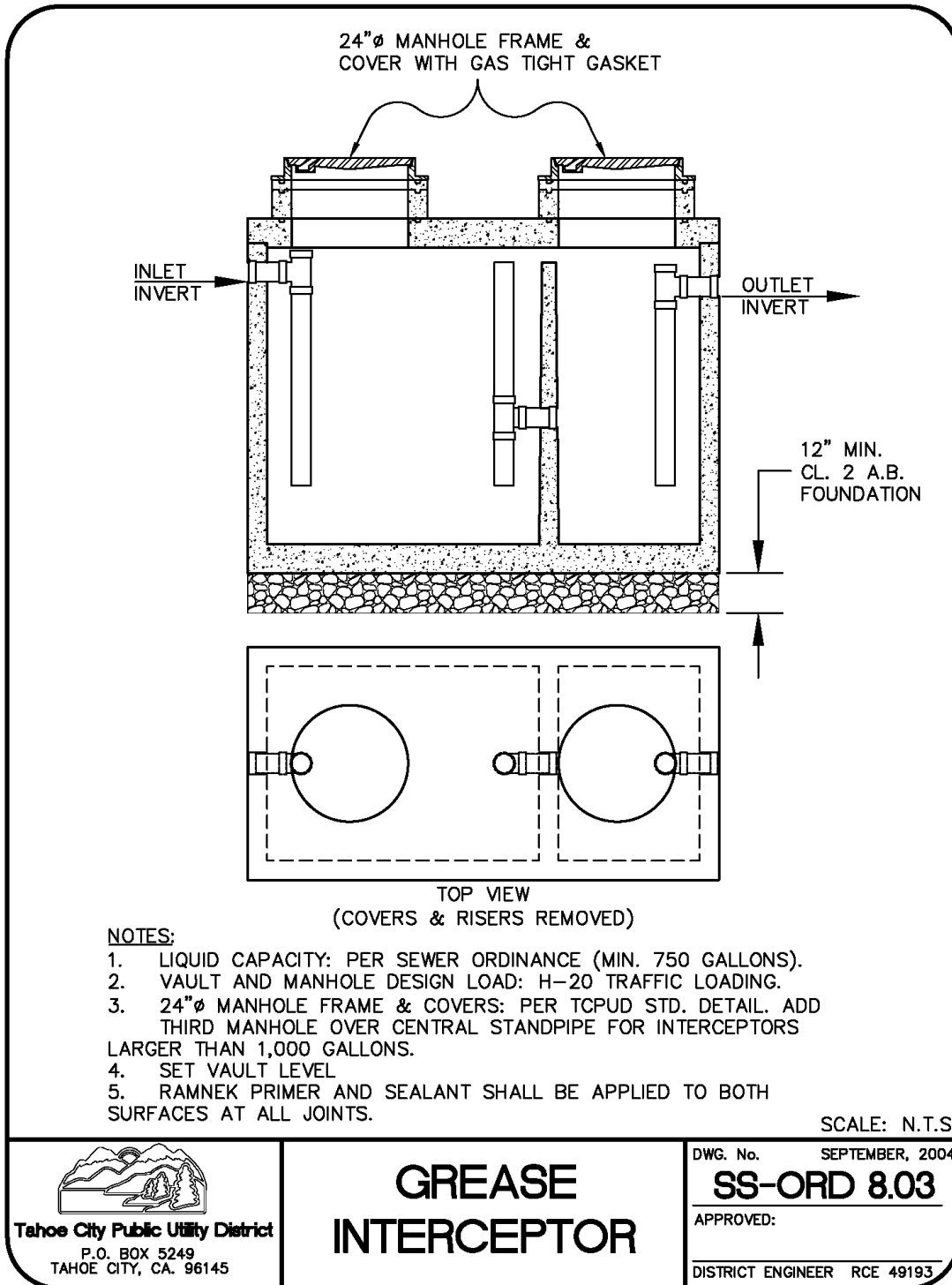


Figure 8.03



Tahoe City Public Utility District
P.O. BOX 5249
TAHOE CITY, CA. 96145

GREASE INTERCEPTOR

DWG. No. SEPTEMBER, 2004
SS-ORD 8.03
APPROVED:
DISTRICT ENGINEER RCE 49193

SAND, HYDROCARBON-BASED OILS AND GREASE CONTROL

9.01 SAND, HYDROCARBON-BASED OILS AND GREASE CONTROL, GENERAL

The goal of the Sand, Hydrocarbon-based Oils and Grease Control section of this Ordinance is to stop the introduction of sand and hydrocarbons into the sanitary system collection system. The Tahoe City Public Utility District (District) follows the requirements of the California Plumbing Code (CPC,) as it relates to oil and grease control, and acts as the Administrative Agency as identified in the CPC, in enforcing grease control measures.

Any nonresidential private or public wash rack used for cleaning vehicles, machinery or machine parts or facilities used for vehicle maintenance, storage, or repair, or any factories, industries or facilities which have oily or sediment-laden wastes shall follow the requirements within this Section.

9.02 SAND, HYDROCARBON-BASED OIL AND GREASE DISCHARGE LICENSE

A license is required for all businesses and individuals who operate or intend to operate a non-residential facility that has the potential to discharge sand, hydrocarbon-based oils and grease into the District's sanitary sewer collection system. These facilities include, but are not limited to:

Car washes, automobile repair shops, bus garages, highway maintenance yards, parts washing facilities, vehicle storage or other facilities that have oily or sediment-laden wastes.

If the licensee is not the Property Owner, the Property Owner must also enter into the license agreement and agree to the terms and conditions identified herein. Property Owners are responsible for actions taken by tenants or lessees where sand, hydrocarbon-based oils or grease may be discharged.

Sand, hydrocarbon-based oil and grease discharge licenses are issued for specific use for a specific operation. Any sale, lease, transfer or assignment of the premises or operation for which the license was issued shall require a new license to be issued. A standard License form is attached as Exhibit 9.01.

The license will define the type of establishment that may discharge sand, oils and grease into the sanitary sewer system. The license will be used to determine what method of sand, oil and grease control may be needed. The license will allow the District to:

- a. Determine the sand, oil and grease control needs specific to each facility
- b. Provide the facility with guidance on sand, oil and grease control methods
- c. Help the facility meet the District's discharge requirements
- d. Ensure compliance with the California Plumbing Code

As a part of the licensing process, the District will perform one visual inspection of the facility's business sewer service lateral per year via closed-circuit television, to identify whether excess sand, oil or grease is entering the sewer lateral from the facility.

9.02.1 License Renewal and Fees

Discharge Licenses must be renewed annually. The annual license fee is identified in Exhibit 10.01.

9.03 SAND, HYDROCARBON-BASED OIL AND GREASE DISCHARGE LIMITATIONS

Wastewater discharge concentration entering the public sanitary sewer system shall not exceed 100 milligrams per liter of hydrocarbon based oils and grease.

9.03.1 Sand, Oil and Grease Control Required to Meet Discharge Limitations

In order to meet the wastewater discharge limitations identified in §9.03 and as required by Tahoe Truckee Sanitation Agency, every private or public wash rack used for cleaning vehicles, machinery or machine parts or facilities used for vehicle maintenance, storage, or repair, or any factories, industries or facilities which have oily or sediment laden wastes shall connect to the sanitary sewer through a sand-oil interceptor.

9.03.1.1 New or Remodeled Establishments

An appropriately sized sand-oil interceptor, as specified by Chapter 10 of the CPC must be installed at all new or remodeled industrial-commercial facilities where any sand, hydrocarbon-based oil or grease, or other objectionable material may be discharged into the District's sanitary sewer collection system.

9.03.1.2 Existing Establishments

If weather conditions and Tahoe Regional Planning Agency regulations permit, existing facilities described in this Section must install a sand-oil interceptor (or trap, if a variance is granted,) within the 180-day period after the first occurrence of any of the following events:

- a. Transfer of Ownership – When ownership or ownership interest in the parcel, facility or business is transferred.
- b. County Building Permit – When the County issues a building permit for construction, reconstruction or related work on the premise. The District will determine the appropriate requirements based upon the County permit.

If weather conditions and Tahoe Regional Planning Agency regulations permit, existing establishments described in this Section must install a sand-oil interceptor within the 60-day period after the first occurrence of any of the following events

- a. Wastewater Backup or Discharge - The backup or discharge of wastewater on or from the premises due to sand or heavy solids build-up within the building plumbing, building sewer service lateral or within District facilities if caused by discharge from the premises.

- b. Discharge Exceeds Limits - Where discharge samples indicate that the discharge exceeds the limits allowed by this Ordinance on three occasions within a twelve month period; or
- c. Written Notice from District - After receiving written notice from the District of the necessity for installation of such facilities.

9.04 ADMINISTRATIVE ACTION FOR NONCOMPLIANCE AND SEWAGE BACKUP

Facilities that do not comply with the District and CPC regulations related to the control of sand, hydrocarbon-based oil or grease shall be subject to administrative action. This may include, but not be limited to, the assessment of fees for investigation and follow up action in accordance with Exhibit 10.01.

Where a sewage backup occurs as a result of a facility's discharge, all associated cleanup costs and fines incurred by the District or others from regulatory agencies shall be billed to the Owner.

9.05 DESIGN, CONSTRUCTION & INSTALLATION OF GREASE CONTROL SYSTEMS

9.05.1 General

Sand, oil and grease control facilities must be designed, constructed and installed at the expense of the Owner. The Owner must have a registered civil engineer design the sand-oil interceptor for the project in accordance with the CPC and Figure 9.01. The proposed plans must be submitted to the District for review, accompanied by the engineer's calculations and the District's standard application form.

The size, type and location of each sand-oil interceptor shall be approved by the District.

9.05.2 Codes Followed

Material for and methods of construction of sand-oil separators must be in accordance with the requirements of the most recent edition of the California Plumbing Code, the codes of the State of California, regulations of the Counties of Placer or El Dorado, and Ordinances and Construction Standards of the Tahoe City Public Utility District.

9.05.3 Sample Ports

Within 180 days of the adoption of this Ordinance all existing facilities identified in §9.01 shall be required to install a sample port. Additional sample ports may be required on the sewer service lateral at facilities where the District suspects, through inspection or other cause, that sand, hydrocarbon-based oils or grease may be entering the District's sewer collection system.

District personnel may at anytime acquire a sample from the discharge sample port. Sample ports must be kept accessible at all times.

9.06 MAINTENANCE

9.06.1 Maintenance, General

The Owner shall maintain sand-oil interceptors in an efficient operating condition by periodic removal and proper disposal of the accumulated sand and grease. The District will work with the each facility to determine an appropriate maintenance schedule.

9.07 INSPECTION

9.07.1 Building Service Lateral Televised Inspection

Visual inspections by way of closed-circuit television camera shall be required on all sewer service laterals exiting facilities that may discharge sand, hydrocarbon-based oil or grease on an annual basis and more frequently if deemed necessary by the District. The annual license fee shall cover the cost of one (1) annual inspection. If repeat inspections are required, they shall be charged at actual cost to the Owner.

9.07.2 Sand-Oil Interceptor Inspections

The District's goal is to eliminate the introduction of sand, hydrocarbon-based oils and grease into the sanitary sewer collection system. Should the District's monitoring program indicate that sand, oil and grease control measures employed by a facility are inadequate either by way of visual inspection of the sewer lateral facility or through samples taken from the sample port, the Owner will be notified to ensure that the sand-oil interceptor is being properly maintained. The District is available to work with the facility to ensure that they will meet discharge limits.

District personnel may at anytime inspect external facilities.

9.07.3 Sample Port Inspections

The District will obtain random samples from sample ports for the purpose of determining whether a facility is meeting discharge requirements. Samples may also be taken when conditions reveal that sand, hydrocarbon-based oils or grease may be entering the District's collection system by way of the facility's sewer service lateral.

Sample ports must remain accessible at all times.

9.08 ABANDONMENT

Abandoned sand-oil interceptors shall be emptied and removed or filled in the same manner as required for abandoned septic tanks as described in the CPC.

Tahoe City Public Utility District
Sand and Hydrocarbon Based Liquid Wastewater and Grease Discharge License

Sand-Oil-Grease Discharge Establishment _____ License No. _____
Street Address _____
Assessor's Parcel Number _____

This License is issued pursuant to Section 9, TCPUD Sewer Ordinance 255. This license authorizes the discharge of wastewater effluent from a Sand-Oil-Grease Discharge Establishment that is not controlled or specifically prohibited by the EPA or the State of California to be discharged into the District's sanitary sewer collection system, subject to the terms and conditions contained herein.

The Licensee shall be responsible for notifying the District of any changes in the factors that determine sizing of Sand-Oil Interceptors. This notification must be made prior to any alteration or replacement of the currently approved equipment.

Licensee Mailing Address _____

Phone email _____

The effective date of this license is _____, and the license shall remain in effect for one year. Initial license fees are due in full for new SOE and will be billed quarterly for existing SOE's in accordance with Section 9, TCPUD Sewer Ordinance 255.

Conditions of License

1. Licensee shall comply with and shall be subject to all requirements, prohibitions, restrictions and enforcement provisions contained in the District's Sewer Ordinance 255, Section 9, as well as all other applicable requirements in the ordinance.
2. Licensee shall maintain the sand/oil interceptor(s) in proper working order at all times so as to ensure compliance with the discharge limits of 100 mg/l of hydrocarbon based oil, grease and solvents.
3. Licensee shall have the sand/oil interceptor(s) cleaned whenever needed to ensure proper operation. Licensee shall maintain a log showing the dates that sand/oil interceptor(s) are being cleaned and shall maintain copies for a minimum of three (3) years.
4. At a minimum, District personnel shall take grab samples annually of the discharge at the sample port.
5. Licensee shall notify the District if the Sand-Oil interceptor(s) are malfunctioning. They must thereafter be pumped or cleaned within 5 working days or repaired within 30 working days as directed by the District, in accordance with Exhibit 8-A (F.6).
6. Licensee shall repair, replace or increase the number or size of sand/oil interceptor(s) on-site or take whatever measure needed to achieve compliance with the specified limit of 100 mg/l for hydrocarbon based oil, grease and solvents, if the discharge sample exceeds this amount.

7. District personnel may enter the premises during normal business and maintenance hours for the purpose of (a) inspecting Licensee's sand/oil interceptor(s) and any other facilities or processes which could adversely affect District's sanitary sewer system, (b) obtaining samples in order to ascertain compliance with the discharge limit of 100 mg/l, and (c) reviewing logs required by the terms of this license. District personnel may at any time inspect and obtain samples from external facilities.

8. The District may require the following, when deemed necessary by the District for the protection of the public sanitary sewer collection system, at Licensee's expense:
 - a. Additional testing of Licensee's discharge
 - b. Cleaning of Licensee's sand/oil interceptor(s); and/or
 - c. Any other action allowed by applicable law or regulation.

9. The Sand-Oil Establishment Wastewater License fee(s) shall assessed per Exhibit 10.01 of District Ordinance 255.

10. Where the Licensee is not the owner of the property, the Owner shall execute this document and be bound by the terms and conditions contained herein and within Section 9 of the District's Sewer Ordinance 255.

A License fee of \$_____ was paid on this date _____ per Exhibit 10.01 of District Ordinance 255.

Dated:_____

By:_____ Licensee

Dated:_____

By:_____ Property Owner

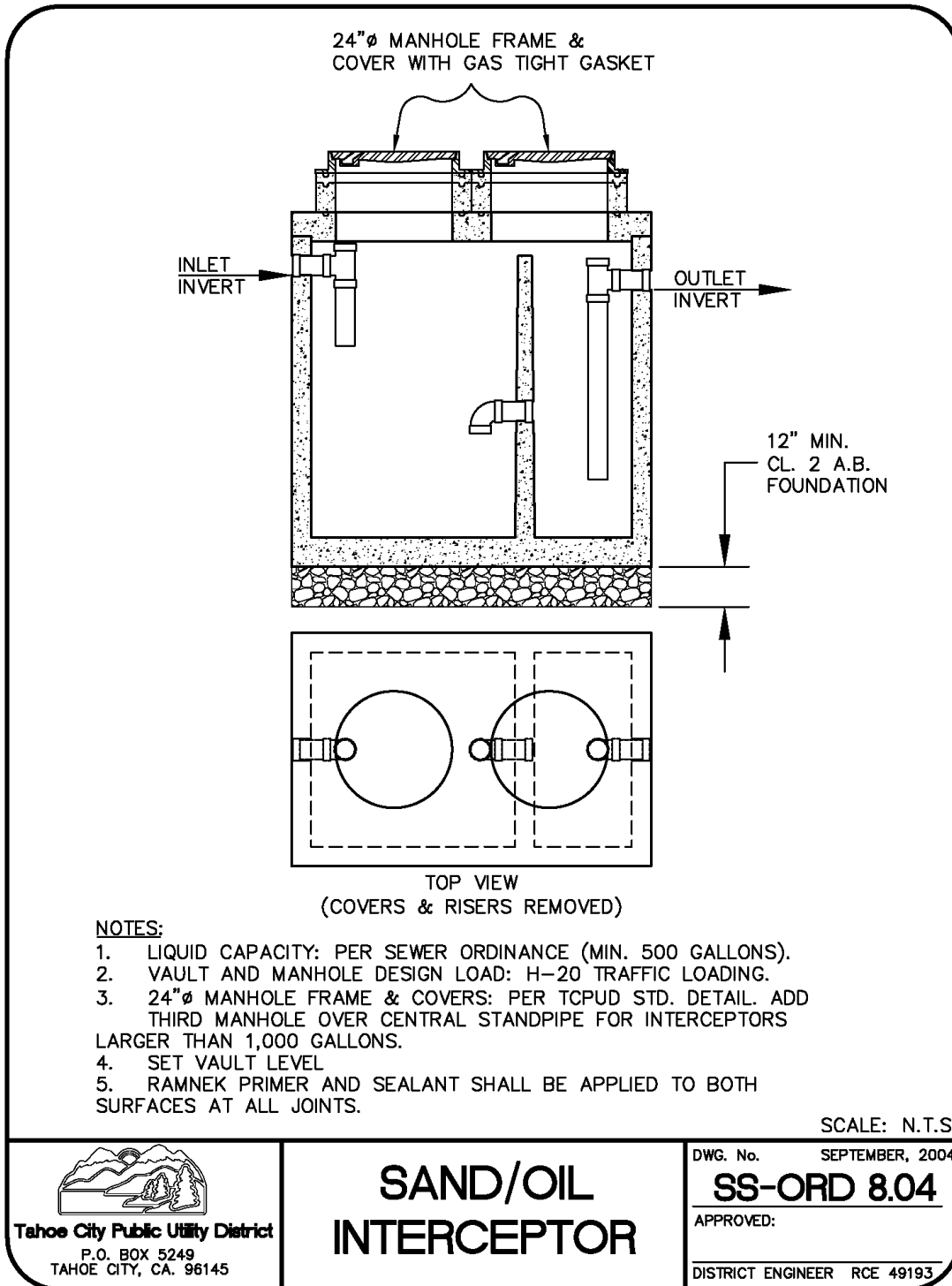
Dated:_____

By:_____ Technical Services Supervisor

Dated:_____

By:_____ Director of Public Works

Figure 9.01



- Intentionally Left Blank -

SECTION 10

DEPOSITS, FEES AND SEWER SERVICE CHARGES

10.01 GENERAL

The Owner is responsible for payment of deposits, fees and sewer service charges. Policies related to refunds of monies paid to the District are discussed at the end of each related section.

10.02 DEPOSITS

10.02.1 Sewer Lateral Construction Deposit

Any person constructing facilities to be dedicated to the District for operation and maintenance in accordance with this Ordinance, or for temporary service, shall pay deposits in advance to the District to cover actual fees, charges and costs to be incurred by the District. This includes expenses that are associated with the plan checking, permitting, consulting, construction and construction inspection of sanitary sewer facilities.

10.02.2 Security Deposit to Guarantee Performance

As a part of the development process outlined in Section 4.02.1, developers may place a cash deposit or provide a letter of credit in favor of the District to ensure completion of the sewer portion of the project, as outlined within the Development Agreement. If construction is not completed in accordance with the Development Agreement, the District shall have the right to utilize the cash deposited or draw upon the letter of credit in order to pay District's costs associated with completing the project.

10.02.3 Deposit In Lieu of Sewer Testing and/or Repair

When sewer air tests and/or minor repairs cannot be completed due to weather conditions or excavation restrictions, the Owner may place a deposit with the District equal to 125% of the estimated costs to replace the house service sewer in accordance with Section 6.02.1.5.

10.02.4 Temporary Discharge Permit Deposit

A deposit in an amount specified in Exhibit 10.01 shall be collected for temporary discharge permits in accordance with Section 7.01.1.

10.02.5 Seal Cap Deposit

In accordance with Section 6.03.1.4 a seal cap may be set to allow sewer service charges to be deferred during construction or reconstruction. Seal caps deposits may be placed for other reasons at the discretion of the District.

10.02.6 Tracking and Maintaining Deposits

The District shall track the deposits received by both applicant and project. The status of the funds on deposit shall be reconciled monthly by the District and copies of such reconciliation shall be made available to the applicant upon request. It is the District's intent to maintain a positive balance in the applicant's project deposit account. In the event of a pending or projected shortfall, the District shall provide written notice to the applicant stating the amount of additional deposit that must be provided. The applicant shall pay additional deposits within 30 days of the date requested by the District.

10.02.7 Refund of Deposits

The unused portion of all funds remaining on deposit with the District shall be returned to the applicant without interest, upon completion and final acceptance of the project, or cancellation of the permit.

10.03 Permitting, licensing, Plan Checking and Inspection Fees

10.03.1 Residential Fees

A permitting fee for new construction and remodels of single-family residences shall be charged in accordance with Exhibit 10.01. The fee shall be used for the review of improvement plans, permit issuance and construction inspections. For residential standard construction permits, the fee will provide up to four (4) site visits. Site visits in excess of four (4) shall be charged to the owner at the rate specified in Exhibit 10.01. For residential minor remodel permits, the fee will provide a single site visit. Each additional site visit will be charged at the rate specified in Exhibit 10.01.

Fees charged for residential service permits are flat fees, not deposits, and are not subject to refund or additional charges based on actual costs, unless site inspections exceed those allowed by the fee.

10.03.2 Commercial, Public Use & Multiple Unit Fees

The District shall review the improvement plans of all proposed commercial, public use, industrial, multiple unit and subdivision projects where sewer service is requested. The Owner shall pay a deposit to the District as specified in the Exhibit 10.01, along with a completed application for sewer permit. Two sets of improvement plans shall be provided to the District for plan check review to assure compliance with District requirements.

The deposit shall be applied to the District's cost for design review, procuring or preparing record improvement plans, administration, construction inspection, testing of materials, related construction activities, transportation expenses, and overhead and indirect costs.

10.03.3 Deposits for Temporary Sewer Service

The District shall review improvement plans for all proposed temporary sewer service. Temporary service may be provided for the purpose of temporary construction trailers, temporary sales offices and for special events requiring temporary sewer service. The Owner shall pay a deposit to the District as specified in Exhibit 10.01 along with a completed application for temporary sewer service. The deposit shall be applied to the District's cost for design review, procuring or preparing record improvement plans, administration, construction inspection, testing of materials, related construction activities, transportation expenses, and overhead and indirect costs. The deposit shall also include the actual cost of the service tap and the District's expense in witnessing the abandonment of temporary service when the temporary service is no longer needed.

10.03.4 Licensing Fees

As described in Sections 8.02 and 8.03, a fee will be charged for Food Service Wastewater Discharge licenses and for Sand, Hydrocarbon-Based Oil and Grease Discharge licenses. All fees will be charged in accordance with Exhibit 10.01.

10.03.5 Refund of Permitting, Plan Checking and Inspection Fees

The unused portion of all funds remaining on deposit with the District for permitting, plan checking and inspection fees shall be returned to the applicant without interest, upon completion and final acceptance of the project, or cancellation of the permit. In the case of temporary service, remaining unused funds on deposit will be refunded upon District witnessed and approved abandonment of the house service sewer lateral.

10.04 LINE EXTENSION FEES

The Owner shall pay all costs associated with sewer line extensions and other construction necessary to extend sewer service to his or her parcel(s). Associated costs shall be determined by the District and identified within the development agreement.

10.05 CONNECTION FEES, SUPPLEMENTAL CONNECTION FEES

Payment of sewer connection fees is the responsibility of the Owner. Residential and commercial connection fees are outlined below.

10.05.1 Residential Connection Fees

Upon application for service or service modification, connection fees for residential projects shall be charged in accordance with Exhibit 10.01. Fees are based upon the number of dwelling units served on a parcel.

10.05.1.1 Adjustments to Residential Connection Fees

If the property has been modified in a manner that reduces the dwelling units on the property, the sewer service charges shall be reduced accordingly in the next regularly scheduled billing cycle. The Owner shall retain credit for all sewer connection fees paid, however, the credit is not subject to refund. Should the dwelling units increase as a result of modifications, connection fees will be charged accordingly and the sewer service charges shall be increased in the next regularly scheduled billing cycle.

The property owner of a residential property shall notify the District if there is any change in sewer use, which may include the following:

- a. Additional Units - Addition of dwelling units on a parcel
- b. Multiple Units - Creation of multiple units on a parcel (apartment or duplex)
- c. Units Removed - Removal of dwelling units on a parcel.
- d. Parcels subdivided - Creation of different parcels that may impact provision of sewer service to structures on the original parcel(s).

10.05.2 Commercial, Industrial and Public Use Connection Fees

Upon application for service or service modification, connection fees for commercial, industrial and public use projects shall be charged in accordance with Exhibit 10.01. Fees are based upon the nature of use, application of Exhibit 10.01, and the number of employees. One sewer unit is comprised of 20 fixture units as described in the current California Plumbing Code.

10.05.2.1 Adjustments to Commercial, Industrial and Public Use Connection Fees

If the commercial, industrial or public use property has been modified in a manner that reduces the factor rating of the property, the sewer service charges shall be reduced

accordingly in the next regularly scheduled billing cycle. The Owner shall retain credit for all sewer connection fees paid; connection fees are not subject to refund nor transferable to other parcels.

Should the factor rating increase as a result of modifications, the Owner shall be billed for increased sewer connection fees in effect at the time of discovery. Any available connection fee credit shall be applied to the increased sewer connection fees. The Owner of record shall pay fees due at the time the District is made aware of the modifications.

The property Owner of a commercial service shall notify the District if there is any change in sewer use, which may include the following:

- a. Change in the nature of use (i.e. restaurant to office;)
- b. Increase or decrease in size of the structure;
- c. Fixtures Change - Addition or removal of fixtures;
- d. Seating Change - Addition or removal of inside or outside seats, benches or barstools
- e. Employee Change - Increase or decrease in the number of employees.

10.05.2.2 Connection Fees for Temporary Sewer Service

All applicants for temporary sewer service shall be charged a connection fee in accordance with the nature of use and Exhibit 10.01. A deposit will be assessed for the estimated cost of abandoning the service. Actual costs will be charged for the District's expense in witnessing service abandonment.

10.05.3 Supplemental Sewer Service Connection Fees

A supplemental sewer connection fee is assessed for sewer service to certain properties within the District where costs of construction and installation, maintenance and operation of sewer facilities are for the direct benefit of the territory described. These supplemental connection fees are charged to all residential and commercial, industrial and public use parcels, and are in addition to the District's standard connection fees delineated in Exhibit 10.01. There are two Sewer Service Areas within the District:

- a. Sewer Service Area No. 1 - All territory within the boundaries of Tahoe City Public Utility District, excepting therefrom that area hereinafter designated and defined as Sewer Service Area No. 2.
- b. Sewer Service Area No. 2 - That territory within the boundaries of Tahoe City Public Utility District, generally known as Sewer Assessment District No. 3, as shown on map thereof recorded August 23, 1966 in Book 1 of Assessment District Maps, Page 14, Records of Placer County Recorder.

10.05.3.1 DETERMINATION OF SUPPLEMENTAL SEWER SERVICE CONNECTION FEES FOR SEWER SERVICE AREA NO. 2

Supplemental sewer service connection fees shall be determined by multiplying the total square footage of the parcel being connected or being provided sewer service (as said parcel is delineated upon the map referred to in Section 10.05.3(b) above) by a factor of \$.014 per square foot. The result shall be the supplemental connection fee.

10.05.3.2 Payment of Supplemental Sewer Service Connection Fee

Supplemental sewer service connection fees are due and payable concurrent with the application of sewer service connection and payment of standard connection fees. No connection shall be permitted to District facilities unless the fee has been paid.

All provisions of this Ordinance regarding delinquency, penalties and responsibility for payment shall apply to the supplemental fee.

10.05.4 TTSA Fees

The Tahoe City Public Utility District will collect connection fees on behalf of Tahoe Truckee Sanitation Agency, the regional sewage treatment facility, and forward those fees to that agency. Should a question or dispute arise, the Owner should contact the accounting department of TTSA directly.

10.05.5 Deposit for Conditional Final

A deposit shall be placed in accordance with Exhibit 10.01, when the District authorizes approval of a final inspection prior to having met all conditions of service. A conditional final shall be given at the discretion of the District and shall be for minor deficiencies found during the final inspection.

10.05.6 Refund of Connection Fees

Connection fees, including supplemental connection fees, for permanent sewer service are non-refundable unless the Application for Sewer Permit is canceled prior to final connection. A fee shall be charged for processing a refund in accordance with Exhibit 10.01.

Connection fees for temporary sewer service will be refunded provided that service is discontinued and properly abandoned within 30 days of the date of expiration indicated in the Temporary Service Permit. A fee shall be charged for processing a refund in accordance with Exhibit 10.01.

10.06 SEWER SERVICE CHARGES

10.06.1 Responsibility for Payment

Sewer service charges shall be billed to Owners in accordance with Exhibit 10.01. The Owner of record is billed, whether or not the Owner is also the occupant. For the purposes of the Ordinance, determination of lot or parcel ownership shall be based upon the latest available records of the Assessor's offices of Placer and El Dorado Counties.

10.06.2 Billing and Payment of Sewer Service Charges

Sewer service charges will be billed quarterly in advance on January 1, April 1, July 1 and October 1 of each year. Payments are due in full within 30 days of the date of the billing.

10.06.3 Initial Sewer Service Charges

Billing for initial sewer service charges shall commence on the first day of the third quarter immediately following successful sewer trench inspection as determined by the District.

10.06.4 Service Charges for Temporary Sewer Service

Temporary sewer service is distinct from Temporary Discharge Permits that are discussed in Section 7. Sewer service charges for temporary sewer service shall be billed in the same manner as permanent sewer service charges.

10.06.5 Sewer Service Charge Adjustments

10.06.5.1 Change in Use

An adjustment of sewer service charges will be made when the District is notified of a change in use, when the District discovers a change or when the change is made, whichever occurs first. Any amount paid in excess of the actual computed sewer service charge shall be credited against the account. Any deficiency between the amount paid and the actual computed sewer service charge shall be added to the account.

Deficiencies or credits may not be applied for a period more than 2 years prior to the date the District determines that a billing discrepancy exists, except in the event of an unreported connection or discharge, in which case all charges and fees shall be assessed under Section 10.13.

Periodically, there are changes in the sewer use of property that affect the billing factor rating. The District will notify the owner in writing when these changes will impact the sewer service charges.

The owner, upon written notification by the District of an increase in the sewer connection fee and sewer service charges, may choose to remove the additional billing factors to avoid increased connection and sewer service charges. Removal of the additional billing factors must be completed by the owner and verified by the District within 30 days of the written increased billing factor rating notification.

10.06.5.2 Change in Billing Factors - California Plumbing Code

Billing factors are often impacted by changes in the California Plumbing Code (CPC) and the method by which sewer fixtures are rated. Adjustments will be made to Owners' sewer service charges based upon the changes made in the CPC. Additional connection fees will not be charged for existing fixtures based on CPC adjustments.

10.06.5.3 Permanent Disconnection of Service

Where service is removed in accordance with Section 5.05, sewer service charges will be discontinued effective the next regularly scheduled billing cycle.

10.06.5.4 Disaster Policy

Where service is temporarily discontinued due to property being uninhabitable as a result of a disaster, the District may temporarily suspend sewer service charges. The Owner must notify the District in writing and request a temporary suspension of fees. If conditions allow, at the discretion of the District, a seal cap may be placed on the sewer in accordance with Section 2.10. Alternatively, the sewer must be capped in accordance with Section 5.05. Sewer service charges will be reinstated upon removal of the seal cap or when service is resumed, whichever occurs first.

A deposit in accordance with Exhibit 10.01 shall be paid at the time a seal cap is scheduled to be placed. Unauthorized removal of seal cap shall result in an

administrative fee and a re-inspection fee, in accordance with Exhibit 10.01.

10.06.5.5 Bi-Annual Inspection of Commercial Properties

The District shall inspect the property bi-annually to ensure that the Owner is being properly billed for services used. More frequent inspections may occur if deemed necessary.

10.06.5.6 Delinquency, Interest and Late Fees

If the quarterly billing is not paid within 30 days of the invoice, the amount outstanding shall be considered delinquent and is subject to a 10% late fee. At the end of the third month of each quarter, the District will assess 1.5% interest on all amounts outstanding.

10.06.5.7 Change in Ownership Fee

A fee will be assessed by the District for each change in ownership in accordance with Exhibit 10.01. The fee will be added to sewer service charges in the initial billing cycle.

10.07 RETURNED CHECK FEE

A fee will be assessed by the District for each check tendered as payment to the District that is returned unpaid. Future payments made to the District may be required to be in the form of cash, a cashier's check or a money order. The fee is identified in Exhibit 10.01.

10.08 DISCONNECT AND RECONNECT FEES

Disconnection at Owner's request shall be subject to a disconnect and reconnect fee in accordance with Exhibit 10.01.

10.09 NON-PAYMENT OF CONNECTION AND / OR SERVICE CHARGES

If sewer service connection charges, service charges, late fees, or other costs billed are delinquent by June 30th each year, the District shall make a lien upon the land, lot or parcel for which service was provided for the unpaid amount plus lien fee in the amount of 10%, as authorized by law. The District shall seek any other relief or recourse available in law or in equity, including without limitation use of the provision of California Public Utilities Code §16469 and following may be taken by the District to enforce such payment.

Delinquent charges for sanitary sewer service together with penalties thereon, which remain delinquent as of June 30 of each year, shall be collected in the same manner as the general taxes for the District for the forthcoming fiscal year provided that the District shall give notice as provided by law.

Delinquent charges, together with all penalties thereon, may be collected by an action in any court of competent jurisdiction against a person or persons who owned the property when the service was rendered for the collection of all delinquent charges and penalties.

An action may be instituted in any court of competent jurisdiction to enforce any lien on the land for the sewer service charges and connection charges together with all penalties thereon.

Reasonable attorneys' fees and court costs of any action in any court for collection of

sewer service charges, together with any penalties thereon, or for a preliminary or permanent injunction, or for the issuance of an order stopping or disconnecting sanitary sewer service, or to enforce a lien, shall be an additional charge for such sanitary sewer service.

If sewer service is furnished by the District to the real property and is disconnected for unpaid charges, reconnection shall not be made until all sewer service charges and connection charges including penalties and disconnection and re-connection charges have been paid to the District.

10.10 TERMINATION OF SERVICE

The District may terminate service providing District gives notice of the delinquency and impending termination, at least ten (10) days prior to the proposed termination by means of personal service or a notice mailed, certified mail, postage prepaid, to the Owner to whom the service is billed, not earlier than nineteen (19) days from the date of mailing the District's bill for services, and the ten (10)-day period shall not commence until five (5) days after the mailing of the notice. The District shall make a reasonable, good faith effort to contact an adult person using the premises or the customer and the Owner by telephone or in person at least forty-eight (48) hours prior to any termination of service. Every notice of termination of service shall include all of the following information:

- a. The name and address of the Owner whose account is delinquent.
- b. The amount of the delinquency, and the date by which payment or arrangements for payment is required in order to avoid termination.
- c. The procedure by which the Owner may initiate a complaint or request an investigation concerning service or charges.
- d. The telephone number of a representative of the District who can provide additional information or institute arrangements for payment.

10.11 ADJUSTMENT OF CHARGES

Adjustments will be made when required. Any amount paid in excess of the actual computed charge shall be credited against the charge for the succeeding billing or refunded during the current year. Any deficiency between the amount paid and the actual computed charge shall be submitted on a special billing from District to property Owner.

Billings may be adjusted for the following reasons:

- a. Upon change of use or users; or
- b. Whenever charges are disputed.

Any request for an adjustment of sewer service charges shall state grounds for an adjustment and shall be made in writing to the General Manager.

10.12 TRANSFER OF SEWER PERMIT

A Permittee who transfers Ownership of a parcel to a new Owner of the same lot for which a sewer permit and building permit has been issued shall have the right to transfer the permit to a new Owner of the lot upon payment of a transfer fee as shown on Exhibit 10.01 of this Ordinance. No transfer shall extend any time period set forth in the sewer permit issuance regulations.

Sewer connection fees cannot be transferred from one parcel to another.

10.13 UNREPORTED CONNECTIONS AND DISCHARGES

An unreported connection is a connection, which has not been inspected and approved by the District. An unreported discharge is a discharge on property previously connected to the public sewer system that increases the sewer unit use on the property or for which all applicable charges have not been paid.

Upon discovery of unreported connections or unreported discharges to the sewer system which increase the factor rating or fixture units of the property or for which an Application for Sewer Permit has not been issued or for which sewer service charges have never been paid, the District shall charge all current sewer service charges, and current connection charges and fees, including all basic penalties and additional penalties thereon, from the time the unreported connection or discharge was made. All such charges and fees shall be deemed to be sewer service charges, including all current connection charges and all service charges and penalties thereon retroactive to the date of the unreported connection.

Connection charges and service charges shall be assessed by the District for any unreported connections and unreported discharges at the time of discovery by the District.

10.14 ANNEXATION FEES

Annexation fees and charges are required for all areas outside of the District boundaries applying for annexation to the District. Fees and charges will be determined based upon existing fee schedules and as determined by the District Engineer.

The annexation fees shall be due and payable on the date of any such annexation approval by the District and payment shall be a condition of said approval. Conditions of annexation shall be specified in an annexation agreement executed between the owner(s) and the District prior to the Local Agency Formation Commission hearings and approval of the proposed annexation.

The Owner or his or her successor in title or interest of any such parcel or lot as herein described shall be responsible for payment of the annexation fee provided in this section.

Annexation fees will be assessed on an individual basis and will reflect the assessed valuation of the area to be annexed; date of annexation; sewerage facilities to be dedicated to the District; total number of developed properties at the time of annexation; contractual relationship between the area to be annexed and the District; and other pertinent factors.

10.15 FEES FOR PREPARING AND / OR REVIEWING SPECIAL DOCUMENTS

10.15.1 Document Preparation

Before proceeding with the preparation of any special study, EIR or related document, the District shall collect from the person making the request a deposit in an amount determined by the District to be fair and equitable. Actual costs shall be applied to the deposit, and the Owner shall be refunded or billed accordingly.

10.15.2 Review of Special Documents

If the District will incur costs associated with either the legal or engineering review of special documents or plans, the Owner shall place a deposit equal to the estimated amount of the proposed review. Actual costs shall be applied to the deposit, and the Owner shall be refunded or billed accordingly.

10.15.3 Request for Easement Abandonment

All persons requesting an abandonment of easement may incur a charge for the processing of the request. The charge shall not exceed the actual expense to the District in researching and processing the request. An estimate of expenses will be provided upon request, and shall form the basis for the required deposit.

10.15.4 Reimbursement Agreement

The District, at its option, may enter into a Reimbursement Agreement with an Owner when that Owner has installed sewer facilities that may be used by other nearby properties. In this instance, the District will collect a prorated share of the cost of design and construction of those facilities from subsequent connections. The District is solely responsible for the determination of the proration of costs.

Administration of reimbursement monies will continue until all such prorated shares have been paid, but no longer than a period of 10 years after completion of the sanitary sewer facilities. The District will assess a fee of 10% of the reimbursed costs for administration.

10.16 OWNER'S RIGHT TO APPEAL

Any property owner who disputes the charges made under this section of the Ordinance may at any time within 30 days after such dispute, appeal to the District in accordance with Section 1.02.10 of this Ordinance.

ORDINANCE NO. 278 OF
TAHOE CITY PUBLIC UTILITY DISTRICT
AMENDING AND MODIFYING ORDINANCE NO. 255
(AS AMENDED BY ORDINANCE NUMBERS 257, 259-A, 261-A, 266, 268, 270 and 272)
EXHIBIT 10.01 SEWER CONNECTION FEES, USER FEES AND SERVICE FEES

WHEREAS, the Board of Directors has analyzed and considered the costs and expenses projected for operation of District sewer systems and capital improvements to facilities for the 2014 fiscal year; and

WHEREAS, District must establish and collect service fees in order to meet the anticipated operational and administrative costs of District sewer systems and capital improvements to facilities; and

WHEREAS, the District adopted rates on December 20, 2013; and

WHEREAS, the Board of Directors determines that, notwithstanding the need to implement revised sewer rates and charges, the state of the economy and its present effect on the finances of District customers should be considered. The Board has been provided data from staff that shows operating expense growth and capital spending have been below that projected in the adopted HDR rate study.

NOW, THEREFORE, BE IT ORDAINED BY THE BOARD OF DIRECTORS OF TAHOE CITY PUBLIC UTILITY DISTRICT as follows:

1. Exhibit 10.01 of Ordinance No. 255 (as amended by Ordinance Numbers 257, 259-A, 261-A, 266, 268, 270 and 272), Rate Codes 201 through 399, is modified as shown on Exhibit 10.1 to this Ordinance 278 in order to implement lower sewer rates than those adopted by the Board on February 25, 2009. This modification is for the year 2014 only. The rates previously set in Exhibit 10.01 of Ordinance No. 255 shall take effect in 2014 unless the District revises the rates further.
2. Except as modified and amended hereby (and by Ordinance Numbers 257, 259-A, 261-A, 266, 268, 270 and 272), Ordinance No. 255 shall in all other respects remain in full force and effect.
3. This Ordinance and the amendments and modifications hereby made, shall become effective 30 days from the date of its enactment and prior thereto shall be posted and published as required by law.

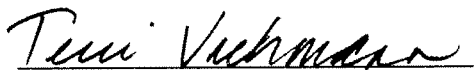
PASSED AND ADOPTED this 20th day of December 20, 2013 at a meeting of the Board of Directors of the Tahoe City Public Utility District by the following vote:

AYES: Friedman, Treabess, Reinkens
NOES: Henrikson
ABSENT: wilkins

TAHOE CITY PUBLIC UTILITY DISTRICT



BY: Lou Reinkens, President



ATTEST: Terri Viehmann, District Clerk

Tahoe City Public Utility District
Sewer Connection Fees & Service Charges
Effective April 1, 2014
Ordinance No. 278, Exhibit 10.01

Rate Code Month/Quarter	Sewer Connection Description	Unit Description	Connection Fee	Monthly Sewer Service Charges		Quarterly Sewer Service Charges	
				Prop 218 2013 Adopted	2014 Roll Back	Prop 218 2013 Adopted	2014 Roll Back
201/301	Residential	Dwelling Unit	\$1,000.00	\$47.93 /	\$36.34	\$143.79 /	\$109.02
213/313	Hotel Room, no Bath	Each	\$250.00	\$12.31 /	\$9.33	\$36.92 /	\$27.99
204, 212, 304, 312	Motel or Hotel Room – no Kitchen	Motel Unit	\$395.00	\$19.51 /	\$14.79	\$58.53 /	\$44.38
205/305	Motel Room with Kitchen	Motel Unit	\$435.00	\$20.79 /	\$15.76	\$62.36 /	\$47.27
206/306	Restaurant Seats, Outside & Bar Seats	Per Seat	\$25.00	\$1.33 /	\$1.01	\$3.98 /	\$3.03
207/307	Restaurant Seats, Inside	Per Seat	\$50.00	\$2.65 /	\$2.02	\$7.96 /	\$6.07
211/311	Laundry – Washing Machine, < 10 lbs.	Per Machine	\$200.00	\$9.75 /	\$7.39	\$29.24 /	\$22.16
215/315	Campsite with Sewer Connection	Each	\$490.00	\$24.17 /	\$18.33	\$72.50 /	\$54.98
216/316	Campsite - no Sewer Connection	Each	\$435.00	\$20.79 /	\$15.76	\$62.36 /	\$47.27
220, 221, 224, 320, 321, 324	Snack Bar, Service Station and Marina Boat Pumping Facility	Each	\$1,475.00	\$72.04 /	\$54.62	\$216.12 /	\$163.85
222/322	Barber Shop / Beauty Shop	Each chair, Min. 2 chairs	\$980.00	\$25.97 /	\$19.69	\$77.90 /	\$59.06
223/323	Theater	Each	\$2,945.00	\$144.01 /	\$109.18	\$432.03 /	\$327.54
230/330	Swimming Pool or Spa Backwash Filter	Per Filter	\$440.00	\$24.17 /	\$18.33	\$72.50 /	\$54.98
235/335	Unclassified Service	As Determined	As Determined	As Determined		As Determined	
All other Commercial or Professional Buildings, including Churches		Sewer Units PLUS Square Footage		Monthly Sewer Service Charges		Quarterly Sewer Service Charges	
				Prop 218 2013 Adopted	2014 Roll Back	Prop 218 2013 Adopted	2014 Roll Back
240/340	Sewer Units, .5 (1 to 10 fixture units)	Each	\$500.00	\$24.17 /	\$18.33	\$72.50 /	\$54.98
241/341	Sewer Units, .51 to 1.0 (11 to 20 fixture units)	Each	\$1,000.00	\$47.93 /	\$36.34	\$143.79 /	\$109.02
270/370	Floor Space up to 1,000 square feet	Each	\$1,000.00	\$47.93 /	\$36.34	\$143.79 /	\$109.02
271/371	Each additional 1,000 sq. ft. or fraction thereof	Each	\$500.00	\$24.17 /	\$18.33	\$72.50 /	\$54.98
299/399	Pro-rated Sewer Charge			n/a /	\$0.99	n/a /	\$2.97

Fiscal Year 2013 is the fifth and final year of the adopted Proposition 218 rates

TCPUD Ordinance 263 - Exhibit B - Water and Sewer Fees

Description	Fee	Notes
RESIDENTIAL-NEW CONSTRUCTION OR REMODEL		
Permit and final inspection (Minor-Remodel)	\$ 60.00	
Plan check for remodel not involving sewer or water systems	No Charge	
Permit plan check and up to 4 site inspections for new construction or remodel involving sewer and/or water system involvement	175.00	
Additional inspections exceeding ordinance standard	41.00	Per inspection
Residential sewer pump system review	171.00	
Residential fire sprinkler system review	113.00	
Conditional Final - Minor construction incomplete	525.00	Deposit- Refunded upon completion of pending work.
Replacement or relocation of existing water service line	60.00	One site visit (trench/pressure)
Replacement or relocation of existing sewer service lateral	144.00	Up to three site visits
Seal Cap Deposit	525.00	
COMMERCIAL - NEW CONSTRUCTION OR REMODEL		
Permit and final inspection (Minor-Remodel)	\$ 60.00	
Permit, development agreement, plan check and inspection	525.00	Deposit; billed at actual cost; including legal expense
Conditional Final – Minor construction incomplete	525.00	Deposit-Refunded upon completion of pending work
CUSTOMER CONSTRUCTION		
Development agreement, plan check and inspection for installation and or extension of water main	\$ 525.00	Deposit; billed at actual cost
Development agreement, plan check and inspection for installation and or extension of sewer collection system	525.00	Deposit; billed at actual cost
On-site inspection not related to permit or agreement	41.00	
Security bond for property owner performing own work	1,050.00	Refundable deposit
DISTRICT CONSTRUCTION FOR CUSTOMER'S BENEFIT		
Water service tap	\$ 2,100.00	Deposit; billed at actual cost
Fire sprinkler service tap	2,100.00	Deposit; billed at actual cost
Sewer stub install	2,100.00	Deposit; billed at actual cost
FOOD SERVICE WASTEWATER DISCHARGE PERMIT		
Permit for food service facility	\$ 176.00	Annual fee
Plan check – Grease interceptor or grease trap	60.00	Deposit; billed at actual cost
Inspection – Grease interceptor or grease trap	41.00	Per inspection
TEMPORARY DISCHARGE		
Permit	\$ 41.00	
Temporary discharge (\$0.98 per 1,000 gallons plus \$0.98 per 1,000 gallons per lift) includes swimming pool & spa drain	60.00	Deposit; billed at actual cost
Security deposit for damage to District facilities as a part of temporary discharge	475.00	Refundable if facilities not damaged
FIRE HYDRANT USE		
Permit	\$ 41.00	
Water use through hydrant meter	121.00	Deposit; billed at \$3.20 per 1,000 gallons
Security deposit for hydrant meter	785.00	Refundable deposit
SEWER AIR TEST – TIME OF SALE		
Processing fee and one site inspection	No Charge	
Repeat site visit	\$ 41.00	
Withhold in lieu of test: Processing fee	60.00	Additional charge if site visit req'd
Withhold in lieu of test: Site visit, if needed	41.00	

DISCONNECT WATER AND/OR SEWER SERVICE – CAP OFF PERMANENTLY		
Processing fee	\$ 24.00	
Inspection fee	41.00	Each site visit
Witness abandonment of septic tank	41.00	
MISCELLANEOUS SERVICES		
Water meter test for accuracy	60.00	Deposit; billed at actual cost. No charge if meter found to exceed 100% accuracy
Water sampling & testing, at customer's request	60.00	Deposit; billed at actual cost
Water service locate on private property	60.00	Minimum; billed at actual cost
Temporary shut-off of exposed water service	60.00	Minimum; billed at actual cost
Reconnect water service during regular business hours	60.00	Minimum; billed at actual cost
Reconnect water service after hours	87.00	Minimum; billed at actual cost
Sewer property line cleanout locate; cleanouts deeper than 18" below grade will not be exposed	117.00	Minimum; billed at actual cost
Cross-connection inspection, on-site	No charge	
DISTRICT LABOR AND EQUIPMENT EXPENSE		
District labor, overhead and vehicle expense	Actual cost	
Camera to televise sewer main	\$ 30.00 per hour	Equipment charge only; plus labor
Vactor	152.00 per hour	Equipment charge only; plus labor
Backhoe	46.00 per hour	Equipment charge only; plus labor
Emergency snow removal	Actual Cost	Minimum 1 hour
EASEMENTS		
Easement research, including, but not limited to, review and approval of easements; requests for easement abandonment and / or encroachment	\$ 60.00	Deposit; billed at actual cost
Easement encroachment agreement	525.00	Deposit; billed at actual cost
ADMINISTRATIVE AND MISCELLANEOUS FEES		
Unreported connections	\$ 352.00	
Unreported discharges	352.00	
Unreported fire hydrant use - excluding Fire Department use	352.00	
Investigation of unauthorized activity, including, but not limited to discharges, sump pumps and removal or bypass of District- approved backflow prevention assembly	Actual Cost	Including administrative, field investigation and legal expenses
Ordinance violation disconnect and reconnect (including non-payment)	Actual Cost	
MISCELLANEOUS CHARGES AND FEES		
Process returned check	\$ 24.00	
Delinquent payment of charges for services provided	10% of balance 1.5% of balance	30 days after each quarterly billing 60 days after each quarterly billing
Process refund of fees paid for service where service request was cancelled; excludes refund of overpayment on deposits	24.00	
Process refund of balance on deposit for service performed	No charge	
Process refund of connection fee	87.00	
Process change in ownership	24.00	
Copies, letter or legal size, each	.13	
Copies, blueprint (for plan review, only)	2.30	

NOTE: SNOW REMOVAL IS NOT INCLUDED WITH ANY SERVICE PROVIDED

**DEPOSITS MAY BE REDUCED OR INCREASED DEPENDING UPON
THE ACTUAL ESTIMATED COST**

DEFINITIONS

As used in this Ordinance unless the context requires otherwise, the terms and words set forth below are defined as follows:

AGENT - Any legal entity representing the interests of the Owner.

APPLICANT - The person making application for a sewer connection permit. Said person shall be the Owner or authorized agent of Owner to be served.

BACKFLOW - The reversal of the normal flow of liquid caused by either backpressure or backsiphonage.

BACKFLOW PREVENTER- An assembly or means designed to prevent backflow of sewage.

BARBER SHOP / BEAUTY SHOP - An establishment with the primary purpose of washing, cutting and styling hair, and where color tints or dyes may be used and where permanent waves may be given

BAR SEAT - See restaurant seat (inside or outside.)

BAR SINK - A single square or rectangular sink that does not exceed 15 inches in length and width, and 7 inches in depth; or a round sink that does not exceed 15 inches in diameter. It shall not be the primary sink in a residential unit.

BEAUTY SHOP – An establishment with the primary purpose of washing, cutting and styling hair, and where color tints or dyes may be used and where permanent waves may be given

BED AND BREAKFAST - For billing purposes, sleeping area is classified as a hotel unit; additional charge per dining chair as for restaurant seats.

BENCH SEATING - In an establishment that is rated according to the number of seats, 20 inches of benching will be considered as one seat. Each bench will be counted in increments of 20 inches. Fractional seats will not be charged.

BEST MANAGEMENT PRACTICE – Measures or practice used to reduce the amount of pollution entering the public sanitary sewer system.

BOOTH SEATING - In an establishment that is rated according to the number of seats, 24 inches of booth seating will be considered as one seat. Each booth seat will be counted in increments of 24 inches. Fractional seats will not be charged.

BIOCHEMICAL OXYGEN DEMAND (BOD) - The quantity of oxygen utilized in the biochemical oxidation of organic matter under standard laboratory procedure in five (5) days at 20 degrees, expressed in milligrams per liter.

BILLING FACTOR RATING - The number of plumbing fixtures in a commercial, industrial or public use establishment related to plumbing fixture unit equivalents in the CPC and correlated to Exhibit 10.01.

BOARD OF DIRECTORS - The governing body of the Tahoe City Public Utility District.

BUILDING - Any structure used for human habitation, employment or place of business, recreation or other purpose, containing or required to contain sanitary facilities.

CPC – California Plumbing Code

CAMPSITE WITH SEWER CONNECTION - Public or privately operated facility designated for overnight use with facilities to connect to sanitary sewer for intermittent use.

CAMPSITE WITHOUT SEWER CONNECTION - Public or privately operated facility designated for overnight use without facilities to connect to sanitary sewer.

CHURCH – A building for public worship.

CLEANOUT - A sealed aperture permitting access to a sewer pipe for cleaning purposes.

COLLECTION SYSTEM - All District facilities utilized for the collection, pumping and transportation of sewage.

COMMERCIAL BUILDING / ESTABLISHMENT - Any structure used other than as a dwelling or for manufacturing.

COMMON INTEREST DEVELOPMENT - Generally a real property development in which the property Owners have a separate interest in a lot, parcel, area or space, and either one or both of the following; (1) rights to the benefit or use and enjoyment of commonly owned lots, parcels, areas or spaces; or (2) rights in certain mutual, common or reciprocal restrictions on all or a portion of the separately owned lots, parcels, areas or spaces and as such, are generally included within the definition of common interest development, in accordance with the laws of the State of California, including without limitation, the definition contained in California Civil Code §1350, (Davis-Sterling Act) and for the purposes of this Ordinance, shall include, without limitation, condominiums, planned unit developments, townhouses, community apartment projects, stock cooperatives or limited equity cooperatives.

CONDOMINIUM - A structure of two or more units, the interior space of which are individually owned; the balance of the property is owned in common by the owners of the individual units.

CONFERENCE FACILITIES - Facilities that are only used for conducting conferences intermittently throughout the year by groups of people that may vary significantly in number. The factor rating for these facilities is based upon the number of plumbing fixture units in the area used exclusively by the groups. The facilities are rated public.

CONNECTION – The physical connection of Owner’s facilities to District facilities.

CONNECTION CHARGE - An amount of money charged for connection to the District sanitary sewer system pursuant to District Ordinance. Residential connection charge is based upon size of service requested; Commercial, industrial or public use connection charges are based upon type of use, sewer units and square footage of the structure, as defined in Exhibit 10.01. Commercial, industrial or public use connection charges are subject to increase if nature of use is modified.

CONTRACTOR - An individual, firm, corporation, partnership or association duly licensed or approved by the State of California to perform the type of work to be done under the permit.

COUNTY - The Counties of Placer or El Dorado in the State of California.

CUSTOMER - Any Owner described herein who receives sewage service from or discharges sewage into the District system.

DAYCARE FACILITY – A facility for providing supervision and training for children and/or the elderly.

DISTRICT - The Tahoe City Public Utility District.

DISTRICT ENGINEER - Engineer retained by the District, acting within the scope of the particular duties delegated.

DISTRICT FACILITIES - SEE DISTRICT

DWELLING UNIT - A separate living unit with kitchen and bathroom facilities including those in single family residence, multiple dwellings, apartments, motels, hotels, mobile homes, trailers, condominiums or townhouses.

EASEMENT - A right, such as a right of way, afforded the District to make limited use of another’s real property.

FINAL INSPECTION – The point at which the District approves service modifications, to include all fixtures units,

FIXTURES – Plumbing fixtures within a residence, commercial, industrial or public use establishment; all fixtures must be low-flow, in accordance with the conservations provisions of this ordinance.

FIXTURE UNITS - Plumbing fixture unit load values for drainage piping and shall be as specified in this ordinance or if not included herein as specified in the Uniform Plumbing Code of the State of California.

FORCE MAIN – A pressure pipe joining the pump discharge at a wastewater pumping station with a point of gravity flow.

GARBAGE - All animal and vegetable wastes from the preparation, cooking and dispensing of food or its commercial or industrial processing.

GENERAL MANAGER - The manager of the Tahoe City Public Utility District.

GREASE – The measure of oil and grease content of a sample as determined by EPA Method 413.1, or other equivalent test method approved by the District.

GREASE INTERCEPTOR - A device, or structure and storage reservoir that provides for the separation and storage of waste water with a specific gravity of less than 1.0 and that prevents said light waste water from entering the sanitary sewer system. The interceptor is normally outside of the structure.

GREASE TRAP - A device designed to separate and store wastewater and prevent it from entering the sanitary sewer system. The trap is normally located within in the kitchen of a commercial establishment.

GUEST HOUSE - A space to be used by members of the family occupying the main dwelling and their non-paying guest, without a kitchen or cooking facilities, containing less than 500 square feet of floor area. All utilities serving the guesthouse shall be common to, dependant on, and associated with the main dwelling. Plumbing shall be limited to that required for a single bathroom. There shall be a deed restriction that prohibits sale and/or rental of the unit.

HOTEL ROOM - Each guest room that is made available for use, rental or hire for the purpose of furnishing transient living accommodations on a day-to-day basis. Includes Bed & Breakfast establishments.

INDUSTRIAL WASTES - Any liquid, gaseous, radioactive or solid waste substance or a combination thereof, resulting from any process of industry or manufacturing, or from the development or recovery of any natural resources.

INDIVIDUAL WASTEWATER PUMPING SYSTEMS - Systems installed by the property Owner in areas where gravity service is not feasible.

INSPECTION - The act of reviewing any or all sewer construction work or fixtures for determining compliance with the District rules.

INSPECTOR - A District representative, acting within the scope of his or her authority, who shall inspect construction work, witness tests, and review residential, commercial, industrial and public use projects for the purposes of determining compliance with the District rules and regulations.

INTERCEPTOR – (1) A major sewer line that collects waterborne wastes from several trunk lines or pumping stations and conveys it to a sewage treatment plant. (2) A device designed and installed to separate and retain deleterious, hazardous or undesirable matter from normal wastes and permit normal sewage or liquid wastes to discharge into the disposal terminal by gravity.

KITCHEN FACILITIES - A room or area containing a refrigerator, cooking facilities or a kitchen sink.

LAUNDRY – A commercial or public use facility equipped with machines for washing clothes.

LICENSED CONTRACTOR - A contractor having a valid license issued pursuant to Chapter 9, Division 3, of the Business and Professions Code, State of California, which license includes the activities applied for and permitted.

MARINA BOAT PUMPING FACILITY - Facility used to evacuate water/waste from holding tanks on vessels.

MOTEL UNIT - Each guest room that is made available for use, rental or hire for the purpose of furnishing transient living accommodations on a day-to-day basis. Includes Bed & Breakfast establishments, in part.

MULTIPLE-UNIT – One or more residential dwelling units on a single parcel, whether joined or separate structures. One or more commercial, industrial or public use units on a single parcel, whether joined or separate structures.

NON-GRAVITY SEWER - The form for lot Owners that require individual pressurized services, also known as pumped system, pressure system or force main.

ORDINANCE - A statute or regulation of the Tahoe City Public Utility District.

OWNER - The person(s), corporation, partnership, or other legal entity that is shown as the owner of a particular parcel on the property tax rolls as maintained by the Counties of Placer or El Dorado. Also, any agent authorized by the Owner.

PARCEL - Any piece of land bounded, defined, or shown upon a map or deed, recorded or filed in the office of the County Recorder.

PERMIT - Any written authorization required pursuant to this or any other regulation of District for installation of or connection to District sewage system, including but not limited to, permit for temporary discharge into District sewer system.

PERMITEE – Any person, firm, association, corporation or trust that operates under the authority of a District Permit.

PERSON - The State, any individual, public or private corporation, political subdivision, governmental agency, municipality, industry, co-partnership, association, firm, trust, estate or any other legal entity whatsoever.

pH - The negative reciprocal of the logarithm of the ion concentration of hydrogen in plumbing and drainage work.

PLUMBING FIXTURE - Any sink, toilet, shower, tub, floor drain, urinal, drinking fountain, or appliance that collects and/or produces waste flow and introduces it into the sanitary sewer system.

PLUMBING INSPECTOR - The person designated by the county ordinance to inspect plumbing and drainage work.

PREMISE - Any lot, piece or parcel of real property, improved or unimproved, within the territorial limits of the District.

PRESSURE REDUCING VALVE (PRV) - An automatic device that reduces water pressure to acceptable levels by means of a pressure drop across the valve.

PRIORITY - When any building herein is given two or more classifications, the correct classification shall be that which returns the greatest amount of revenue to the District until and unless otherwise ordered by the Board of Directors.

PRIVATE SCHOOL - A school operated and supported by private individuals or a corporation rather than a public agency.

PRIVATE USE – Applies to plumbing fixtures in residences and apartments, to private bathrooms in hotels and motels and to restrooms in commercial , industrial, and public use establishments where the fixtures are intended for the sole use of the owner and four or fewer employees.

PUBLIC ENTITY - A city or county, any municipal water district, public utility district, sanitary district, sanitation agency, county water district, public school facility or California water district organized under the laws of the State of California or any other public corporation or agency of the State or Federal government having power to acquire, construct, and operate facilities for the collection, treatment and disposal of sewage, industrial waste and storm water of such entity and its inhabitants.

PUBLIC FIXTURES - Those fixtures that are intended for the use of the employees of a business or tenants of a commercial, industrial or public use establishment when the ratio of employees or tenants per toilet exceeds 5 to 1; or those fixtures in a business that are for unrestricted use by clients or customers of the business or members of the public; or those which are located in places to which the public is invited, or places which are frequented by the public without special permission, or other installations where fixtures are installed so that the use is similarly unrestrictive.

PUBLIC USE OCCUPANCY – All buildings or structures that are not defined as private use.

RESIDENCE - A living unit with kitchen and bathroom facilities, including single-family dwelling, multiple-family dwelling, apartment, timeshare unit, mobile home, trailer, condominium or townhouse.

RESTAURANT - INSIDE SEAT - Year-round, full-time seating.

RESTAURANT - OUTSIDE SEAT - Considered seasonal seating, and charged at 50% of the normal service charges for restaurant seats and 50% of the normal connection fee as that of inside seating.

SANITARY SEWER SYSTEM - The system of interceptors, trunks, mains, laterals, outfall lines and pumping stations for collection of normal sanitary sewage and to which storm, surface and groundwaters are not intentionally admitted.

SCHOOL – A building or group of buildings, either public or private, in which instruction is given and / students are trained or supervised.

SERVICE CHARGES - An amount paid by all users of District facilities, based upon the size of service. The charges are billed on a quarterly basis, and are further defined in Exhibit 10.01.

SERVICE FEE - An amount charged for specific District service, such as inspections, plan checking, and certain billable call-outs. The amounts are identified in Exhibit 10.01.

SERVICE STATION – A business where services, especially repairs, can be obtained.

SEWAGE TREATMENT PLANT - Any arrangement of devices and structures used by the District for treating sewage.

SEWER - A pipe or conduit for carrying sewage.

Building Sewer - That part of the piping of a drainage system which ends at a point five (5) feet outside the foundation of the building or structure and which receives discharge from the building to the house service sewer.

Combined Sewer - A sewer that receives and carries storm water.

House Service Sewer - That part of the sewer piping from the building sewer to the lateral sewer, including the foundation cleanout, property line cleanout and associated fittings.

Lateral Sewer - The sewer line beginning at the property line, terminating at the main sewer and connecting the house service sewer to the main sewer.

Main Sewer - A public sewer that receives wastewater from many branches and laterals, designed to accommodate more than one building.

Outside Sewer - A sanitary sewer outside the boundary of the District.

Private Sewer - A sewer serving an independent sewage disposal system not connected with a public sewer and which accommodates one or more buildings or industries.

Public Sewer - A sewer that is controlled by or under the jurisdiction of the District or other public entity within District boundaries.

Sanitary Sewer - A sewer that carries sewage and to which storm, surface and groundwaters are not intentionally admitted.

Storm Sewer - A sewer that carries only such drainage as storm water, surface water, street wash water and groundwater.

Trunk Sewer - A major sewer line that collects sewage from sewer mains and conveys it to an interceptor, influent outfall, pump station or treatment facility.

SEWERAGE WORKS - All District facilities for collecting, pumping, treating and disposing of sewage.

SEWER SERVICE CHARGE - A regular charge to a property Owner of designated premises for the use of the public sanitary sewage collection system.

SEWER SERVICE CRITERIA - The terms, conditions and limitations adopted from time to time by the District that establish and determine when gravity service is or is not available to a lot, parcel or premise.

SEWER USER FEES - A regular charge to a property Owner of designated premises for the use of the public sanitary sewage collection system.

SINGLE SERVICE KITCHEN - A fast-food establishment utilizing paper plates and disposable utensils where little or no grease is generated.

SLEEPING ACCOMMODATIONS - A room in a hotel, motel or boarding house without kitchen facilities.

SNACK BAR - An establishment that uses only disposable products for food service and does not provide seating for the use of its customers.

SOURCE CONTROL PLAN - A written plan of implementation that shall control at the source potential discharges into the sewer system.

STANDBY CHARGE - The fee established pursuant to §16478 of the California Public Utilities Code for availability of District sewage service facilities, whether such facilities are actually used or not. Sewage service shall be deemed available where District sewage collection lines (whether interceptor, trunk sewer or laterals) have been installed within a public street bordering said land, lot or parcel or to which land, lot or parcel a sewer service stub has been provided.

STREET - Any public highway, road, street, avenue, alley-way, public place, public easement or right of way.

STUB-OUT - Sewer connection on property line into which an Owner may connect his or her house service sewer; a connector from the District's sewer system for future sewer extension.

SUPPLEMENTAL SEWER CONNECTION FEE - The supplemental charge made by the District for connection to District's sewer system within a given service area.

SURGE - Any discharge into the collection system of water, sewage or industrial waste which in concentration of any given constituent or in quantity of flow exceeds for any

period of duration longer than fifteen (15) minutes more than five (5) times the average twenty-four (24) hour concentration of flows during normal operation.

SUSPENDED SOLIDS - Solids that either float on the surface or are in suspension in water, sewage or liquids and which are removable by filtering.

SWIMMING POOL - All swimming or wading pools containing 2,000 gallons of water or more and all non-residential whirlpool baths and hot tubs.

TEE - A fitting for a branch on which the spur joins the barrel of the pipe at an angle of approximately 90 degrees.

TEMPORARY DISCHARGE – A temporary connection for discharge into the sanitary sewer system by permit only.

THEATRE – A building, room, or outdoor structure for the presentation of plays, motion pictures or other performances, lectures or demonstrations.

TOXIC WASTE - Any waste that is poisonous or hazardous to human, animal and/or plant life.

TRAFFIC BEARING AREA - Any area, paved or unpaved, in which traffic may travel over or be parked upon, including driveways, garages and parking pads.

TRAP - A fitting or device that provides a liquid seal to prevent the emission of sewer gas or air without materially affecting the flow of sewage or wastewater through it.

TTSA - Tahoe Truckee Sanitation Agency, a regional wastewater treatment facility.

UPC – Uniform Plumbing Code.

UNCLASSIFIED SERVICE - Industrial plants, commercial enterprises, public use facilities or businesses, premises and government lands which have unusual characteristics insofar as sewage disposition is concerned and do not appear on Exhibit 10.01 of this Ordinance as a classified service, and lands or premises served or to be provided with service but which lie outside the District boundaries. Service will be provided only through a contract.

WASTE includes sewage and any and all other waste substances, liquid, solid, gaseous or radioactive, associated with human habitation or of human or animal origin or from any producing, manufacturing or processing operation of whatever nature, including such waste placed within containers of whatever nature prior to and for purposes of disposal.

WASTEWATER - The spent water of a community, which may be a combination of liquid and water-carried wastes from residences, commercial or public use buildings and industries.

WITHHOLD – An amount of money, usually held in escrow, equal to 125% of the estimated cost of replacing a house service sewer lateral, including cleanouts.

YEAR - The twelve (12) month period from January 1 of each calendar year and ending on December 31 of each succeeding calendar year thereafter.

Schedule of Tables

		<u>Page</u>
Table 1	Minimum Cover Requirements: Sanitary Sewer Gravity Service Sewer	28
Table 2	Pumping Chamber Reserve Capacity	36
Table 3	Discharge Pipe Size: Pressurized Sewer Service	37

- Intentionally Left Blank -

Schedule of Exhibits

		<u>Page</u>
Exhibit 2.01	Common Service Agreement	9
Exhibit 3.01	Easement Encroachment Policy	17
Exhibit 7.01	Temporary Discharge Permit	62
Exhibit 8.01A	FOG: Grease Interceptors	71
Exhibit 8.01B	FOG: Grease Traps	76
Exhibit 8.02	Food Service Wastewater Discharge License	80
Exhibit 9.01	Sand and Hydrocarbon-Based Liquid Wastewater Discharge License	89
Exhibit 10.01	Water and Sewer Connection Fees, User Fees and Service Charges	103

- Intentionally Left Blank -

Schedule of Figures

		<u>Page</u>
Figure 3.01	Standard Maintenance Responsibility	21
Figure 5.01	Standard Residential Sewer Service	41
Figure 5.02	Standard Cleanout Assembly	42
Figure 5.03	Special Sewer Cleanout – 90°	43
Figure 5.04	Residential Pressure Sewer Service Connection	44
Figure 5.05	Single Residence Outdoor Pump Housing	45
Figure 8.01	Sample Port for Service Lateral	82
Figure 8.02	Sample Port Location	83
Figure 8.03	Grease Interceptor	84
Figure 9.01	Sand-Oil Interceptor	91